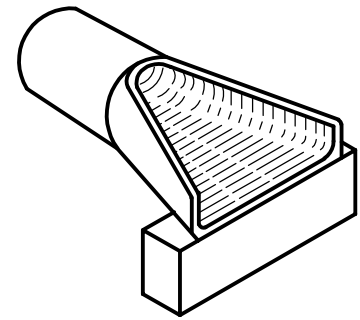
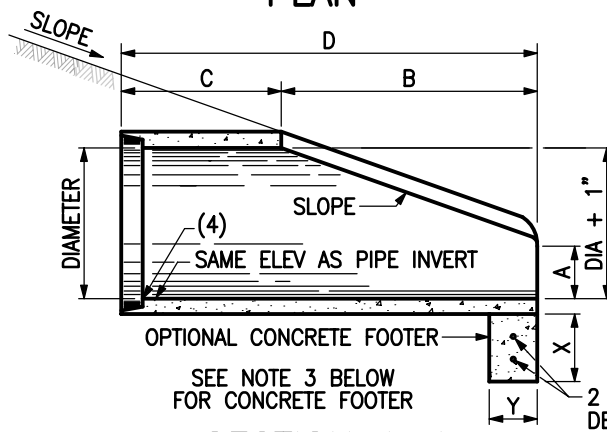


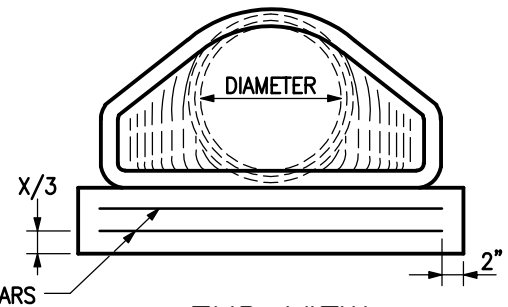
PLAN



ISOMETRIC VIEW



SECTION A-A



END VIEW

NOTES:

1. CONTRACTOR HAS OPTION OF FURNISHING END SECTIONS CONFORMING TO DETAILS ON THIS SHEET OR END SECTIONS CONFORMING TO DETAILS ON STANDARD BC 368.02.
2. END SECTIONS MUST BE REINFORCED TO CONFORM WITH CLASS IV PIPE.
3. CONCRETE FOOTER SHALL BE USED WHEN SPECIFIED ON THE PLANS. COST OF CONCRETE FOOTER TO BE INCLUDED IN PRICE OF END SECTION. CONCRETE TO BE MIX 2. REINFORCEMENT TO BE NO. 3 BARS.
4. INVERT ELEVATION TO BE AT THE PIPE END OF THE STANDARD END SECTION. ELEVATIONS TO BE NOTED ON THE CONSTRUCTION PLANS.

CONCRETE END SECTION							CONCRETE FOOTER				
D INCHES	SLOPE	DIMENSIONS					DIMENSIONS			QUANTITIES	
		A	B	C	D	E	W	X	Y	CONC CY	STEEL LBS
12	3:1	4"	2'-0"	4'-0 7/8"	6'-0 7/8"	2'-0"	3'-0"	12"	9"	0.08	24.00
15	3:1	6"	2'-3"	3'-10"	6'-1"	2'-6"	3'-6"	12"	9"	0.10	28.50
18	3:1	9"	2'-3"	3'-10"	6'-1"	3'-0"	4'-0"	12"	9"	0.11	33.00
21	3:1	9"	3'-0"	3'-1 1/2"	6'-1 1/2"	3'-6"	4'-6"	12"	9"	0.13	37.50
24	3:1	9 1/2"	3'-7 1/2"	2'-6"	6'-1 1/2"	4'-0"	5'-0"	15"	9"	0.17	42.00
27	3:1	10 1/2"	4'-1 1/2"	2'-0"	6'-1 1/2"	4'-6"	5'-6"	15"	9"	0.19	46.50
30	3:1	1'-0"	4'-6"	1'-7 3/4"	6'-1 3/4"	5'-0"	6'-0"	15"	9"	0.21	51.00
33	3:1	1'-2"	4'-7"	2'-2"	6'-9"	5'-6"	6'-6"	15"	9"	0.23	55.50
36	3:1	1'-3"	5'-3"	2'-10 3/4"	8'-1 3/4"	6'-0"	7'-3"	15"	9"	0.25	62.25
42	3:1	1'-6" OR 1'-9"	5'-3"	2'-11"	8'-2"	6'-6"	7'-9"	15"	9"	0.27	66.75
48	3:1	2'-0"	6'-0"	2'-2"	8'-2"	7'-0"	8'-6"	18"	12"	0.47	73.50
54	2.4:1	2'-3"	5'-5"	2'-9 1/4"	8'-2 1/4"	7'-6"	9'-0"	18"	12"	0.50	78.00

NOTE: QUANTITIES IN TABLE TO BE USED FOR ESTIMATING ONLY

	APPROVED: HEAD, BUREAU OF WATER AND WASTEWATER	CITY OF BALTIMORE DEPARTMENT OF PUBLIC WORKS BUREAU OF WATER AND WASTEWATER	ISSUED	REVISED	REVISED	
	 DIRECTOR, DEPARTMENT OF PUBLIC WORKS		3 / 2008			
	CONCRETE END SECTION CIRCULAR PIPE OPTION NO. 1		STANDARD NO. BC 368.01			SCALE: NONE