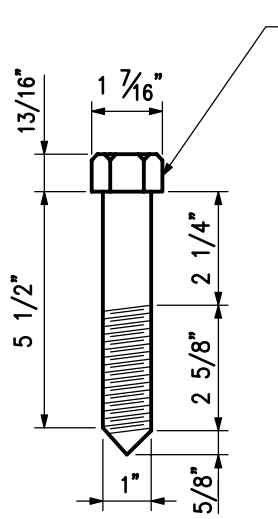
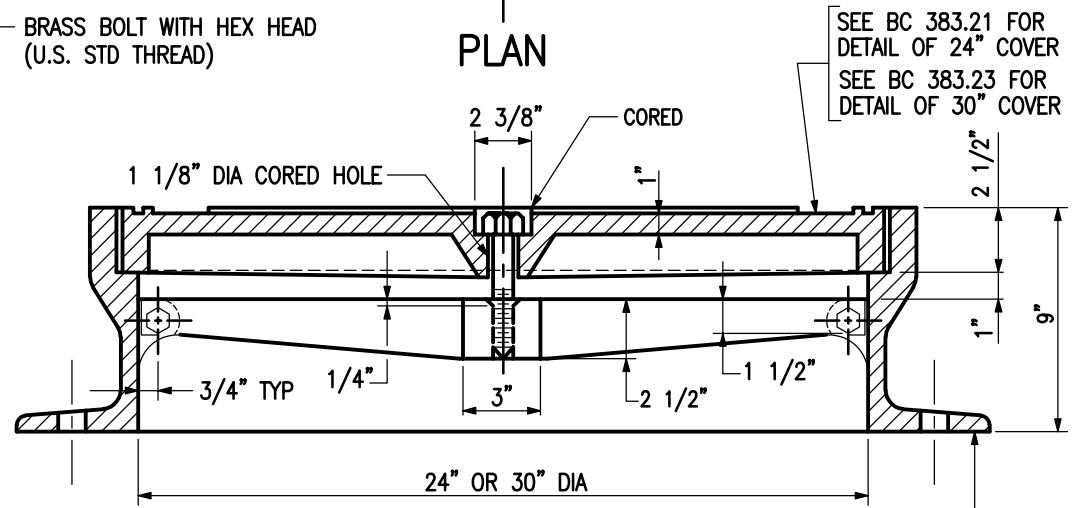


PLAN



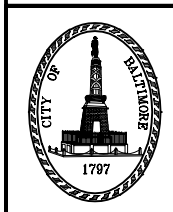
BOLT



SECTION

SEE BC 383.21 FOR
DETAIL OF 24" COVER
SEE BC 383.23 FOR
DETAIL OF 30" COVER

SEE BC 383.22 FOR
DETAIL OF 24" FRAME.
SEE BC 383.24 FOR
DETAIL OF 30" FRAME.



APPROVED :
[Signature]
HEAD, BUREAU OF WATER AND WASTEWATER
[Signature]
DIRECTOR, DEPARTMENT OF PUBLIC WORKS

CITY OF BALTIMORE
DEPARTMENT OF PUBLIC WORKS
BUREAU OF WATER AND WASTEWATER

LOCKING DEVICE FOR
MANHOLE FRAME AND COVER

ISSUED	REVISED	REVISED
3 / 2008		
STANDARD NO. BC 383.25		
SCALE : NONE		SHEET 1 OF 1