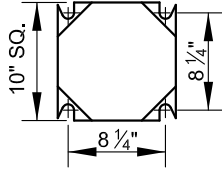
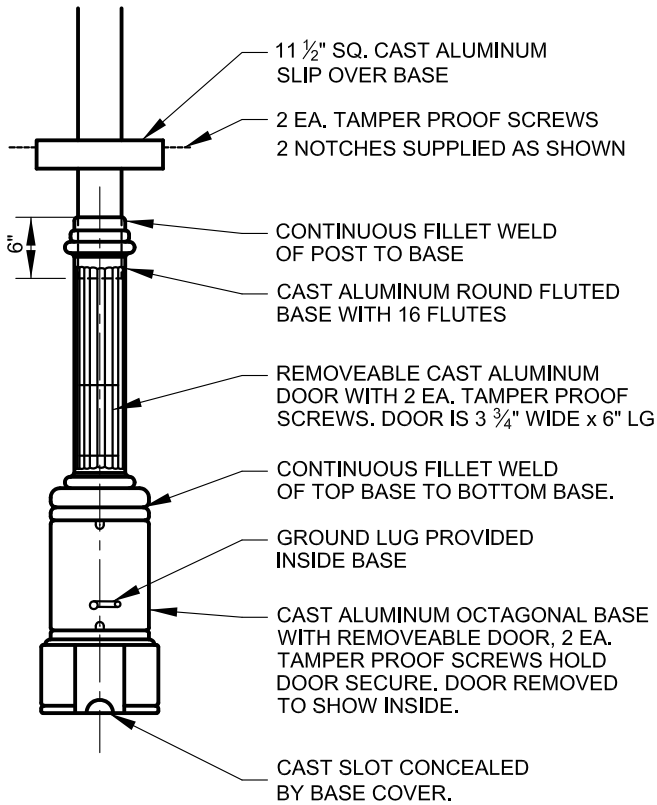
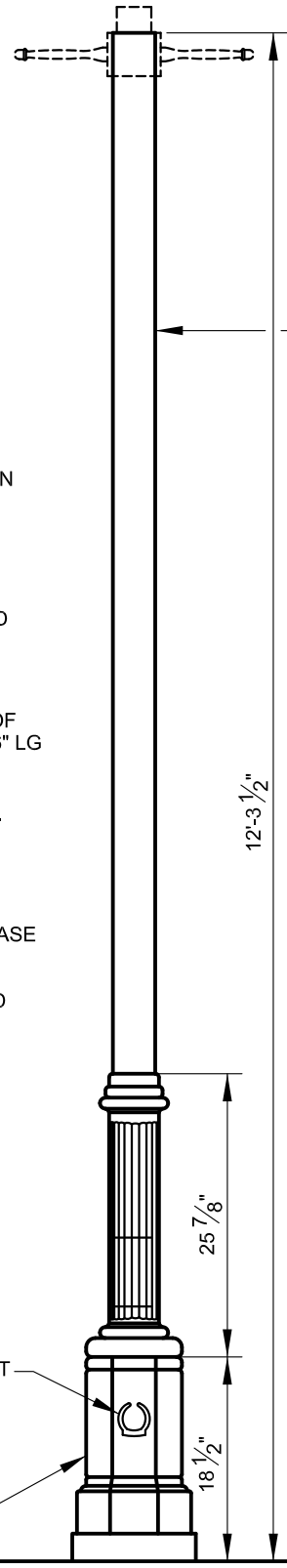


3" O.D. POST TOP TENON WITH LADDER REST 20 3/4" LONG. CAST ALUMINUM WITH PAINTED GOLD LEAFING. BLACK POWDER COAT. TAMPER PROOF SCREWS PROVIDED (3).



FOR BASE DETAIL SEE BC 801.07



4" O.D. ALUMINUM POST x .125" WALL x 9' LONG WITH BLACK POWDER COAT. POST SLIPS INTO FLUTED BASE 6" DEEP. SEE DOTTED LINE AT LEFT.

1 EA. CAST BRASS WREATH

DOOR



APPROVED:
Bimal DeWaha
 DIVISION CHIEF, TRANSPORTATION ENGINEERING AND CONSTRUCTION
Khalil Zare
 DIRECTOR, DEPARTMENT OF TRANSPORTATION

CITY OF BALTIMORE
 DEPARTMENT OF TRANSPORTATION
 TRANSPORTATION ENGINEERING AND CONSTRUCTION

DECORATIVE POLE AND TENON

ISSUED	REVISED	REVISED
8 / 2010		
STANDARD NO. BC 808.16		
SCALE : NONE	SHEET 1 OF 1	