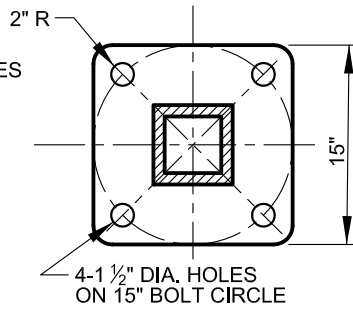
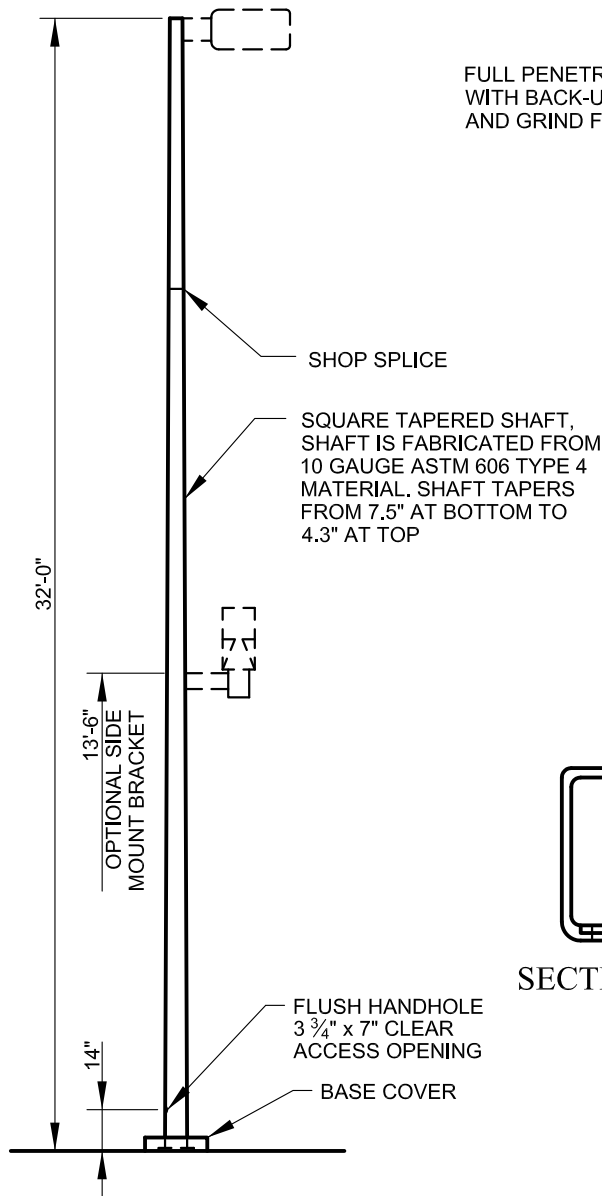
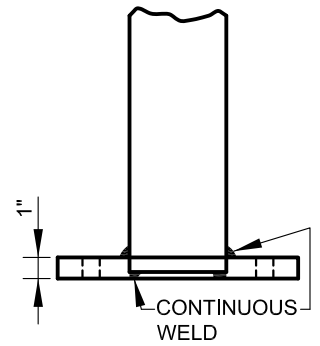


POLE TOP DETAIL



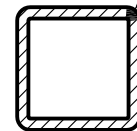
BASE PLATE DETAIL



FULL PENETRATION WELD WITH BACK-UP PLATE AND GRIND FLUSH

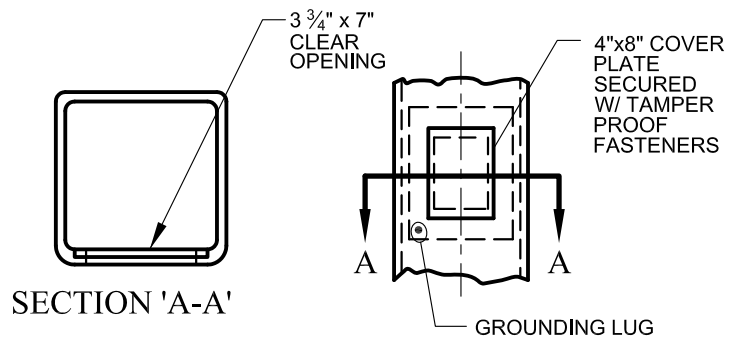
SHOP SPLICE DETAIL

2/3 PENETRATION WELD AND GRIND TO MATCH RADIUS



LONGITUDINAL WELD

NOTE:
THE POLE SHALL BE FINISHED WITH AN ELECTROSTATICALLY DEPOSITED DRY POLYESTER POWDER COATING IN DURANODIC 312 BRONZE



FLUSH HANDHOLE DETAIL



APPROVED:
Primal Dev...
DIVISION CHIEF, TRANSPORTATION ENGINEERING AND CONSTRUCTION
Khalil Z...
DIRECTOR, DEPARTMENT OF TRANSPORTATION

CITY OF BALTIMORE
DEPARTMENT OF TRANSPORTATION
TRANSPORTATION ENGINEERING AND CONSTRUCTION

32' SQUARE
TAPERED POLE

ISSUED	REVISED	REVISED
8 / 2010		
STANDARD NO. BC 808.17-1		
SCALE : NONE	SHEET 1 OF 2	