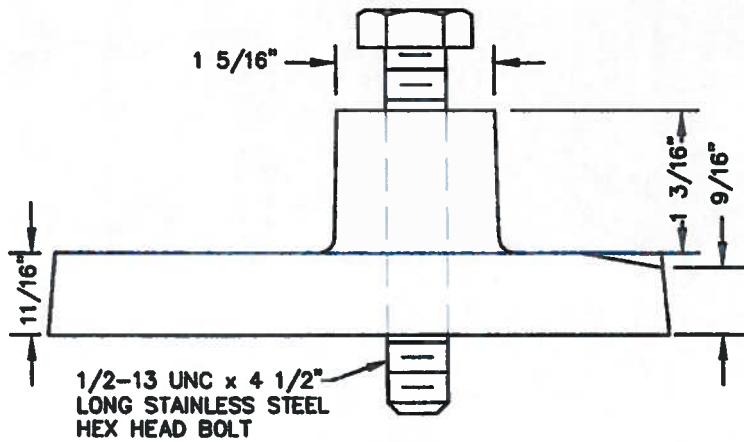
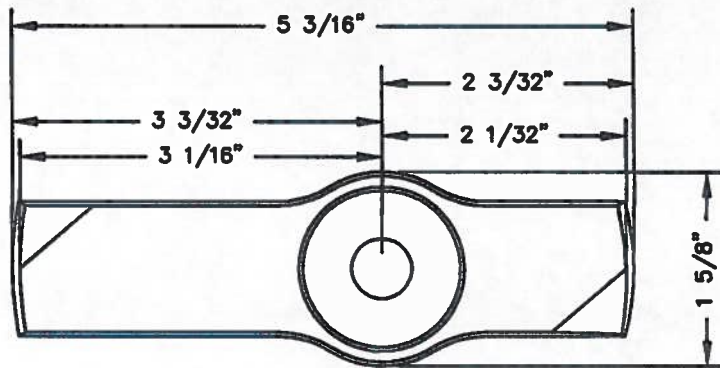



WATERTIGHT SEAL  
Machine Groove in Lid  
Seat for Oil-Resistant  
T-Gasket, Nitrile (60 Duro)

**SECTION**  
CONCEALED PICKHOLE



**DETAIL**  
'G' LOCK

	APPROVED: <i>Kumar Vind 9-2-14</i> HEAD, BUREAU OF WATER AND WASTEWATER	CITY OF BALTIMORE DEPARTMENT OF PUBLIC WORKS BUREAU OF WATER AND WASTEWATER	ISSUED	REVISED	REVISED
	APPROVED: <i>S. DeLoe 7-9-14</i> DIRECTOR, DEPARTMENT OF PUBLIC WORKS		6/2014		
	STANDARD LOCKABLE WATERTIGHT SANITARY 24 IN. MANHOLE COVER DETAILS		STANDARD NO BC 831.44 (2)		
			SCALE: NONE	SHEET 2 OF 2	