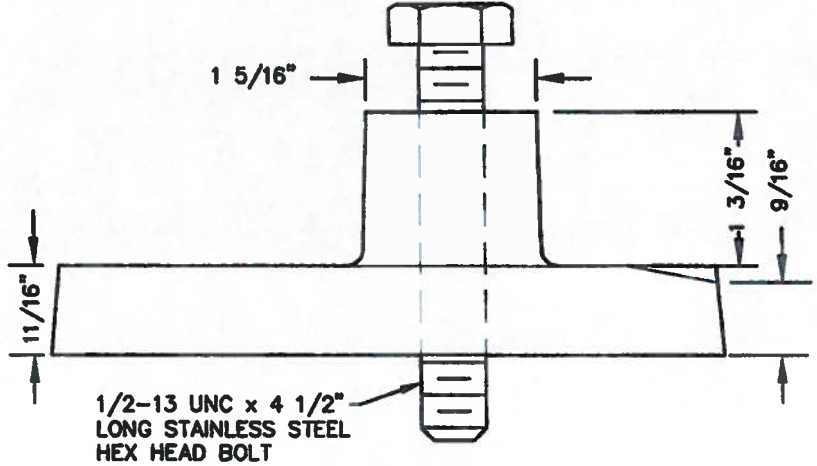
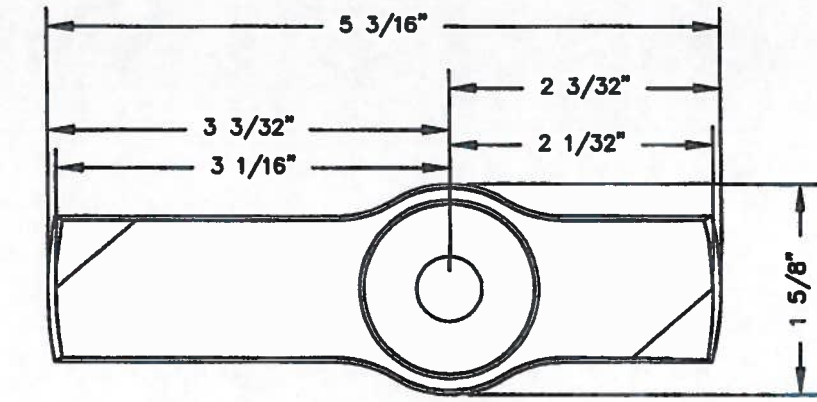


WATERTIGHT SEAL
 Machine Groove in Lid
 Seat for Oil-Resistant
 T-Gasket, Nitrile (60 Duro)

SECTION
 CONCEALED PICKHOLE



1/2-13 UNC x 4 1/2"
 LONG STAINLESS STEEL
 HEX HEAD BOLT

DETAIL
 'G' LOCK



APPROVED:
Kumar Vaidhyanathan
 HEAD, BUREAU OF WATER AND WASTEWATER
S. Dale Thomas
 DIRECTOR, DEPARTMENT OF PUBLIC WORKS

CITY OF BALTIMORE
 DEPARTMENT OF PUBLIC WORKS
 BUREAU OF WATER AND WASTEWATER
 STANDARD LOCKABLE WATERTIGHT
 SANITARY 30 IN. MANHOLE COVER
 DETAILS

ISSUED	REVISED	REVISED
6/2014		
STANDARD NO BC 831.46 (2)		
SCALE: NONE	SHEET 2 OF 2	