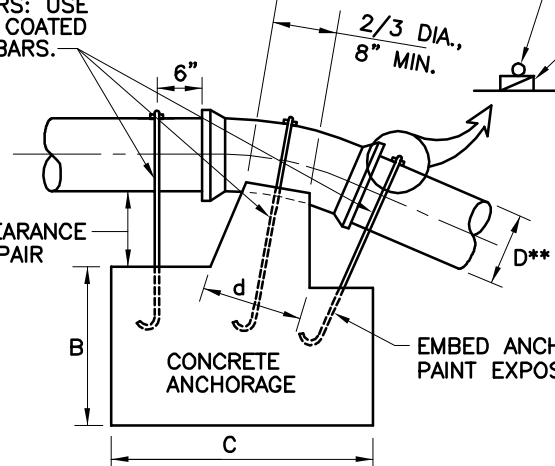


PLAN

ANCHOR BARS: USE USE EPOXY COATED DEFORMED BARS.

12" CLEARANCE FOR REPAIR CLAMP.



ELEVATION

DEFORMED REBAR

DOUBLE-ACTING STAINLESS STEEL WEDGES

EMBED ANCHOR BARS 30 DIAMETER. PAINT EXPOSED BARS, SEE NOTE 5.

ANCHORAGES FOR UPPER VERTICAL BENDS								
	PIPE SIZE							
	D**	4"	6"	8"	10"	12"	16"	20"
1/32 BEND	A	1'-6"	2'-0"	2'-0"	3'-0"	3'-6"	4'-6"	5'-0"
	B	2'-0"	2'-0"	3'-0"	3'-0"	3'-0"	3'-6"	4'-6"
	C	2'-6"	2'-6"	3'-0"	3'-6"	4'-0"	4'-6"	5'-0"
1/16 BEND	A	2'-6"	2'-6"	3'-6"	4'-0"	4'-6"	5'-6"	6'-0"
	B	3'-0"	2'-6"	3'-0"	3'-0"	3'-6"	4'-6"	5'-6"
	C	3'-0"	3'-6"	3'-6"	4'-6"	5'-0"	5'-6"	6'-6"
1/8 BEND	A	3'-6"	3'-6"	4'-0"	5'-0"	6'-0"	7'-0"	8'-0"
	B	3'-6"	3'-6"	4'-0"	4'-0"	4'-6"	5'-6"	6'-6"
	C	3'-6"	3'-6"	4'-6"	5'-6"	6'-0"	7'-0"	8'-0"

EPOXY COATED ANCHOR BARS			
PIPE SIZE	1/32 BEND	1/16 BEND	1/8 BEND
6"	3-#6	3-#6	3-#6
8"	3-#6	3-#6	3-#6
10"	3-#6	3-#6	3-#6
12"	3-#6	3-#6	3-#6
16"	3-#6	3-#6	3-#6
20"	3-#6	3-#6	3-#6


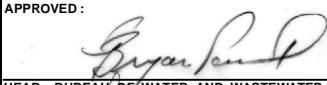
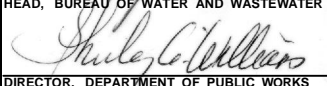
D** INDICATES NOMINAL DIAMETER PIPE SIZES

NOTES:

- ALL CONCRETE TO BE MIX 3, f'c = 3,500 PSI AT 28 DAYS.
- THE MINIMUM DIMENSION AS SHOWN IS BASED ON THE FOLLOWING CONDITIONS AND LIMITATIONS:
 - ALLOWABLE SOIL BEARING CAPACITY = 2,000 PSF.
 - OPERATING WATER PRESSURE = 150 PSI.
 - DEPTH FROM FINISHED GRADE TO TOP OF PIPE ASSUMED TO EQUAL 4'-0" OR DEEPER.
 - ELEVATION OF GROUNDWATER TABLE ASSUMED TO BE BELOW BOTTOM OF THE CONCRETE BLOCK.
- ALL DIMENSIONS ARE MINIMUM EXCEPT WHERE LARGER DIMENSION WILL INTERFERE WITH THE PIPE JOINTS OR NOT FACILITATE BOLT REMOVAL ON MECHANICAL JOINTS.
- ALL DIMENSIONS ARE FOR DUCTILE IRON PIPE FITTINGS OR PVC PIPE WITH DUCTILE IRON PIPE FITTINGS. BUTTRESSES FOR HDPE PIPE AND FITTINGS SHALL BE CONSIDERED SITE SPECIFIC AND SHALL REQUIRE BALTIMORE CITY APPROVAL.

SITE SPECIFIC DESIGN CRITERIA:

- IF THE ABOVE STATED CONDITIONS AND LIMITATIONS ARE NOT MET, OR THE PIPE DIAMETER IS GREATER THAN 20", A SITE SPECIFIC DESIGN WILL BE REQUIRED FOR APPROVAL.
- DESIGN THRUST FORCE SHALL BE CALCULATED BASED ON THE OUTSIDE DIAMETER OF THE PIPE.
 - DESIGN THRUST FORCES = CALCULATED THRUST X 1.5 FACTOR OF SAFETY.

	APPROVED: 	CITY OF BALTIMORE DEPARTMENT OF PUBLIC WORKS BUREAU OF WATER AND WASTEWATER	ISSUED	REVISED	REVISED	
	HEAD, BUREAU OF WATER AND WASTEWATER 		3 / 2008			
	DIRECTOR, DEPARTMENT OF PUBLIC WORKS	ANCHORAGES FOR UPPER VERTICAL BENDS (FOR 4" - 20")	STANDARD NO. BC 866.01			SCALE: NONE