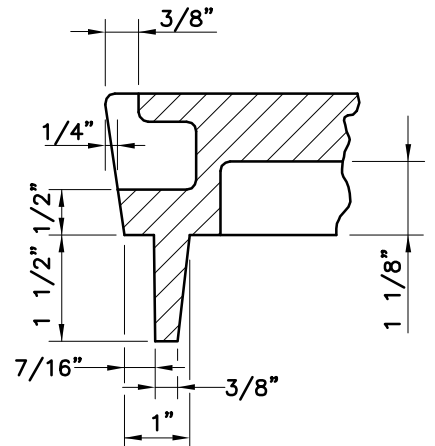
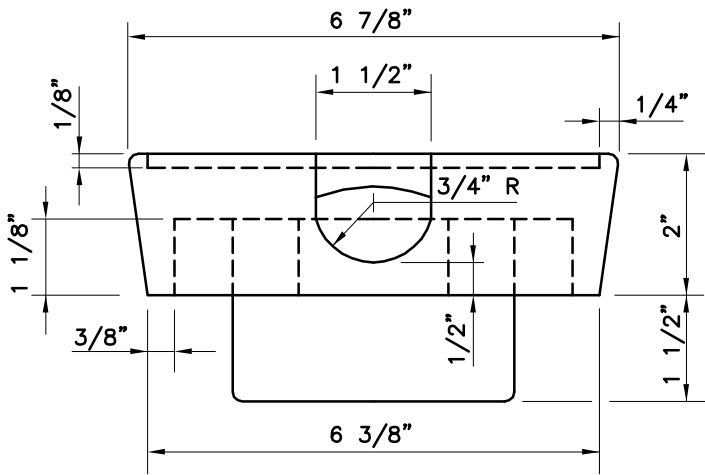
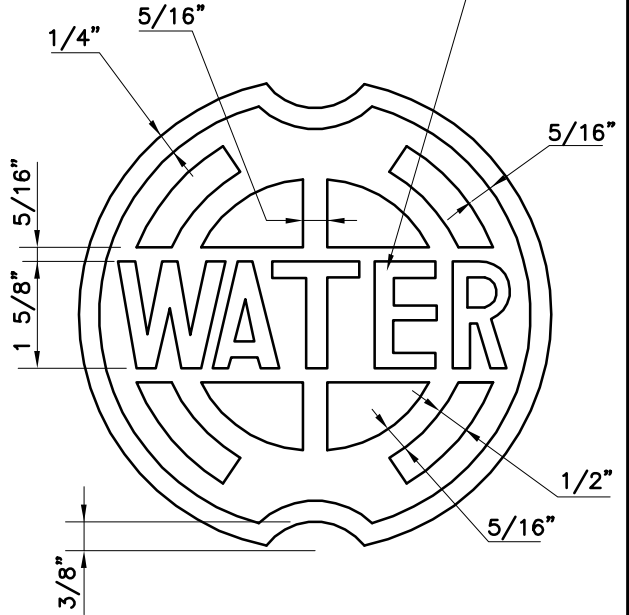
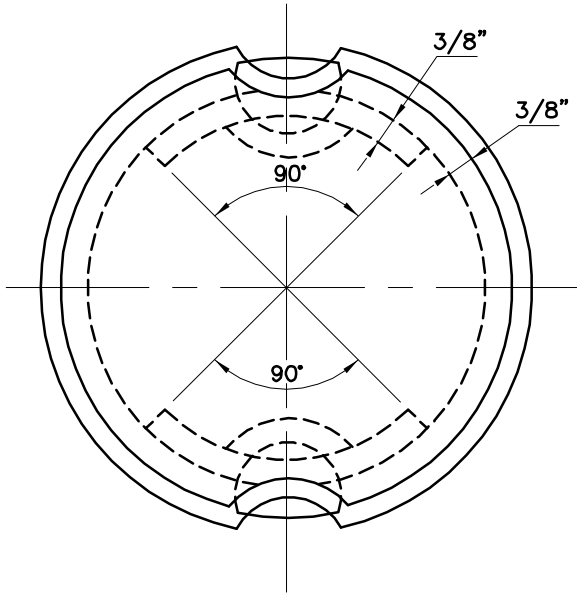


LIDS MAY STATE "WATER"
OR MAY ALSO READ
"DIVISION WATER VALVE"



APPROVED:
[Signature]
HEAD, BUREAU OF WATER AND WASTEWATER
[Signature]
DIRECTOR, DEPARTMENT OF PUBLIC WORKS

CITY OF BALTIMORE
DEPARTMENT OF PUBLIC WORKS
BUREAU OF WATER AND WASTEWATER

STANDARD 7 1/2" VALVE COVER - WATER

| ISSUED | REVISED | REVISED |
|----------|---------|---------|
| 3 / 2008 | | |

STANDARD NO.
BC 872.01

SCALE : NONE

SHEET 6 OF 6