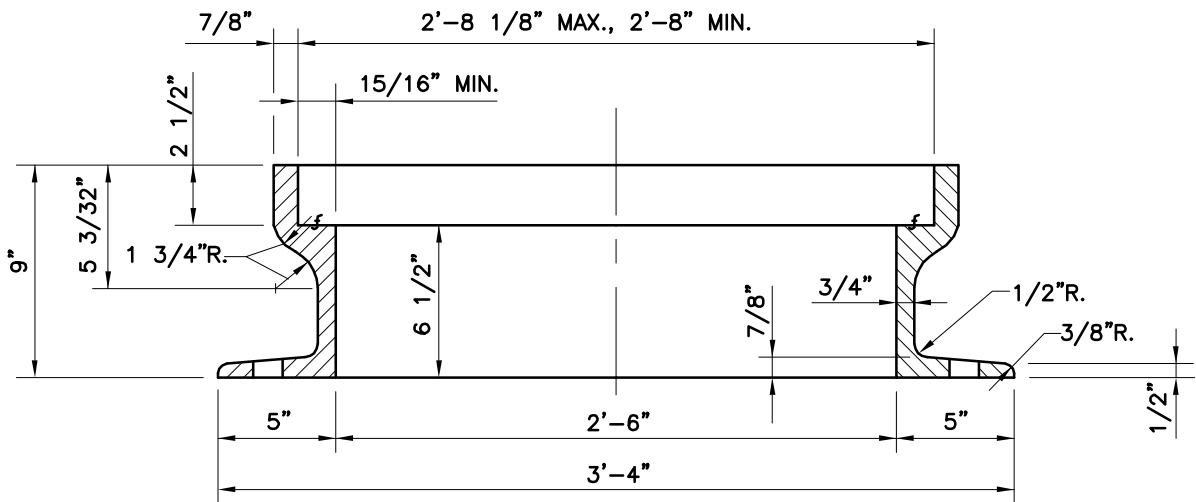
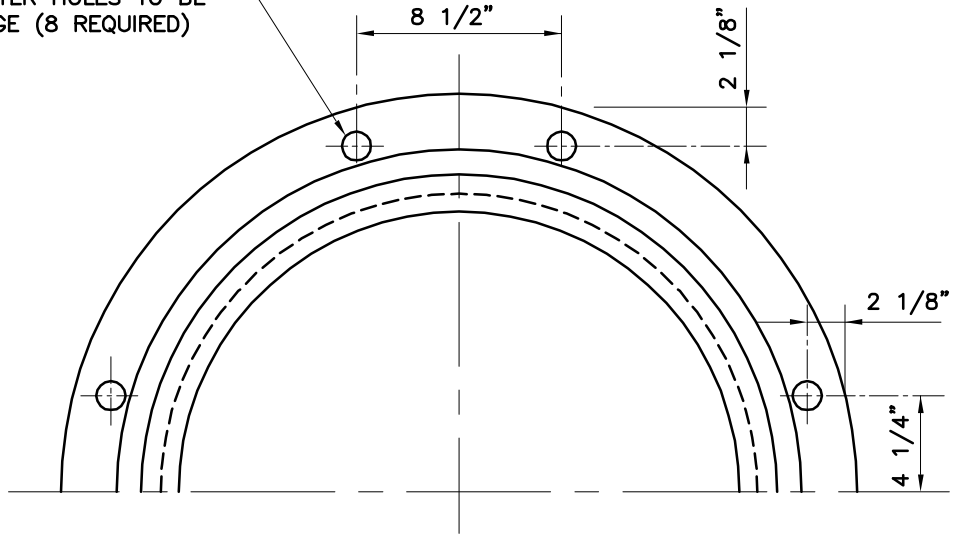


1 1/4" DIAMETER HOLES TO BE CAST IN FLANGE (8 REQUIRED)



APPROVED :  
*[Signature]*  
 HEAD, BUREAU OF WATER AND WASTEWATER  
*[Signature]*  
 DIRECTOR, DEPARTMENT OF PUBLIC WORKS

CITY OF BALTIMORE  
 DEPARTMENT OF PUBLIC WORKS  
 BUREAU OF WATER AND WASTEWATER

STANDARD 30" MANHOLE FRAME - WATER

ISSUED	REVISED	REVISED
3 / 2008		
<b>STANDARD NO. BC 877.01</b>		
SCALE : NONE		SHEET 2 OF 2