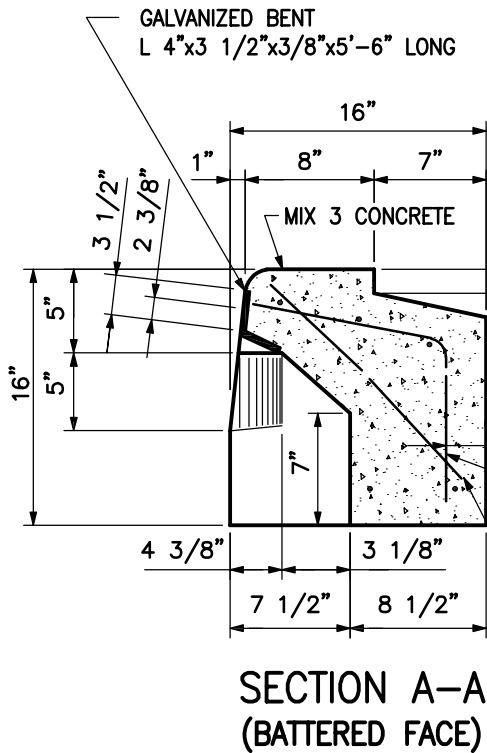


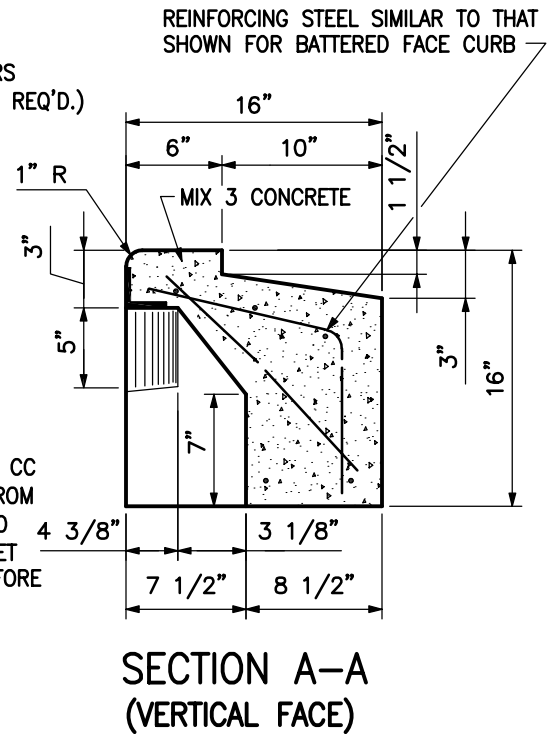
NOTE:
FOR METHOD OF
DEPRESSING PAVING AT
INLETS SEE BC 380.99


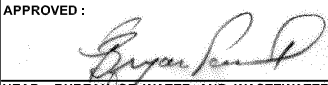



ALL LONGITUDINAL BARS
NO. 4 5'-2" LONG (5 REQ'D.)

NO. 4 BARS 24" CC
3 REQ'D. (BEGIN 9" FROM
ANGLE END) FASTEN TO
ANGLE WITH 1/4" FILLET
WELD ALL AROUND BEFORE
GALVANIZING.

NO. 4 BARS 12" CC
6 REQ'D.



	APPROVED:  HEAD, BUREAU OF WATER AND WASTEWATER	CITY OF BALTIMORE DEPARTMENT OF PUBLIC WORKS BUREAU OF WATER AND WASTEWATER	ISSUED	REVISED	REVISED
	 DIRECTOR, DEPARTMENT OF PUBLIC WORKS		3 / 2008		
	PRECAST SPECIAL CURB FOR DEPRESSED 'E' COMBINATION INLET		STANDARD NO. BC 376.22		