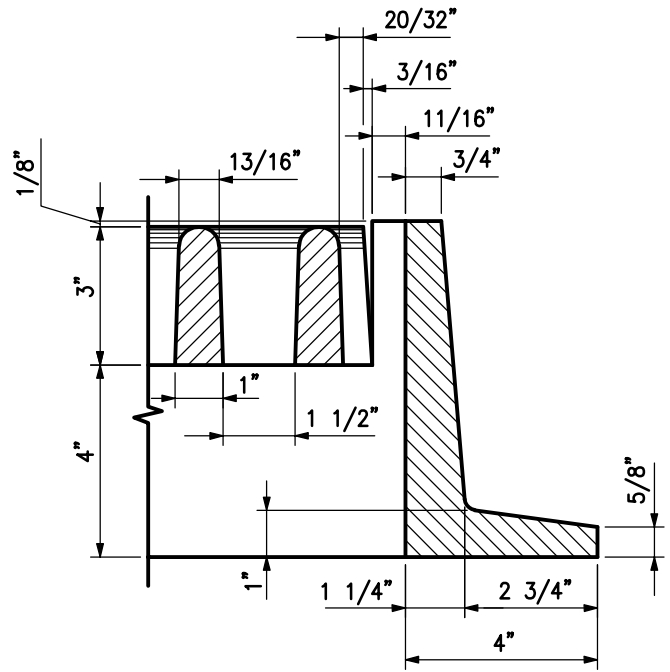
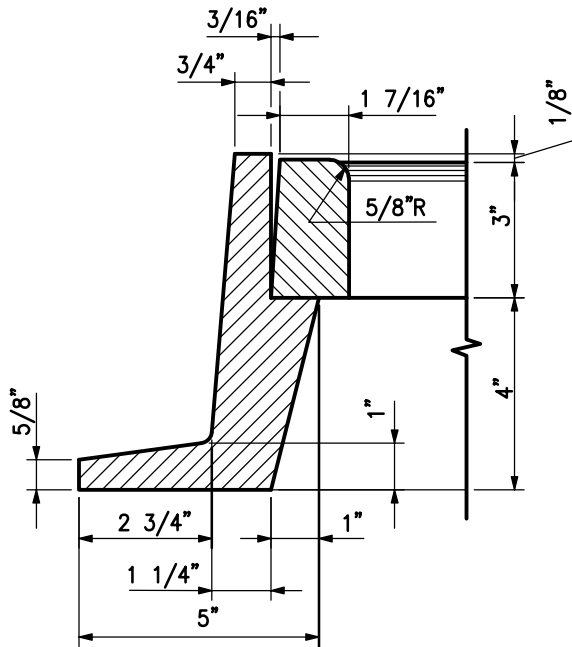


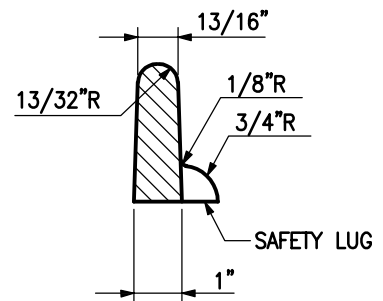
SECTION A-A



SECTION B-B



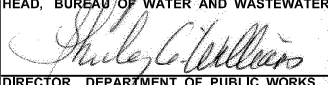


SECTION C-C



SECTION D-D

NOTE:
FOR PLAN VIEW OF THESE SECTIONS, SEE BC 380.04.

	APPROVED:  HEAD, BUREAU OF WATER AND WASTEWATER	CITY OF BALTIMORE DEPARTMENT OF PUBLIC WORKS BUREAU OF WATER AND WASTEWATER	ISSUED	REVISED	REVISED
	 DIRECTOR, DEPARTMENT OF PUBLIC WORKS		3 / 2008		
	TYPE 'S' FRAME AND GRATE SECTIONS TRANSVERSE BARS			STANDARD NO. BC 380.05	
			SCALE: NONE	SHEET 1 OF 1	