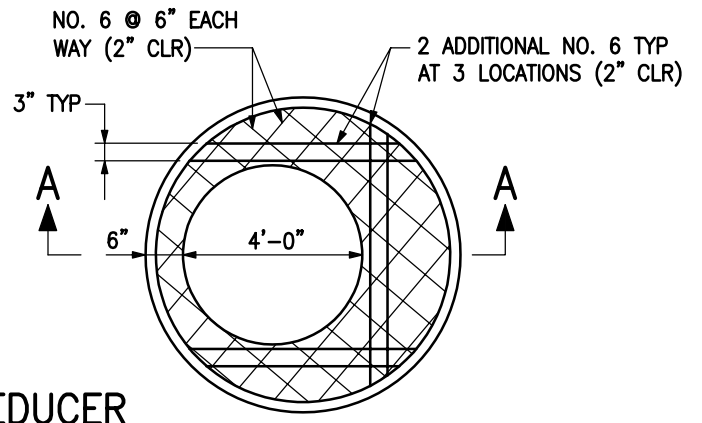


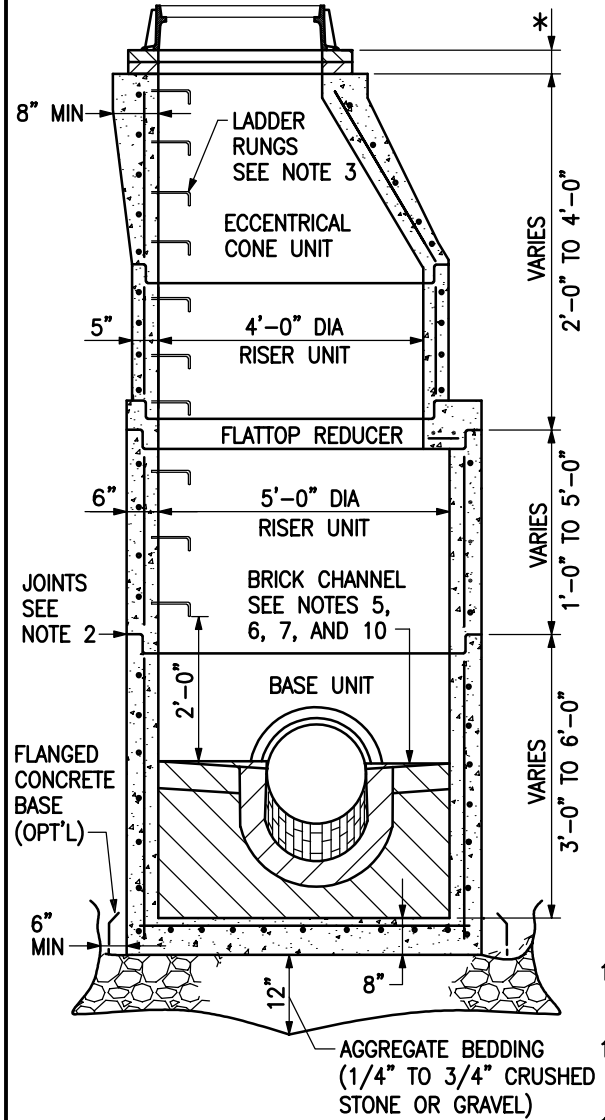
SECTION A-A



PLAN

FLATTOP REDUCER




* ADJUSTMENT - SEE SECTION A-A ON BC 383.04



SECTION

NOTES:

1. MANHOLE DESIGN SPECIFICATIONS SHALL CONFORM TO "PRECAST REINFORCED CONCRETE MANHOLE SECTION ASTM DESIGNATION C-478, LATEST REVISIONS".
2. MANHOLE SECTIONS MANUFACTURED ACCORDING TO ASTM C-478 AND AASHTO M199. THE JOINTS SHALL BE SEALED BY THE CONTRACTOR AND MADE WATER TIGHT USING 'O' RING RUBBER GASKETS AND PROFILE JOINTS MEETING ASTM C-443 AND C-361. FLEXIBLE PLASTIC GASKET TO MEET AASHTO M198 TYPE B.
3. LADDER RUNGS SHALL BE INSTALLED IN STAGGERED ALIGNMENT AT 1'-3" TYPICAL CC. RUNG TYPE SHALL BE IN ACCORDANCE WITH STANDARD BC 383.92 OR 383.93. LADDER RUNGS SHALL BE INCIDENTAL TO THE COST OF THE MANHOLE.
4. LIFT EYES OR LIFT INSERTS SHALL BE PROVIDED IN EACH SECTION FOR HANDLING.
5. BENCH AND CHANNEL TO BE CONSTRUCTED OF ONE COURSE OF SEWER BRICK ON EDGE. BENCH TO SLOPE A MINIMUM OF 1" PER FOOT TOWARDS CHANNEL.
6. BENCH HEIGHT ABOVE OUTGOING PIPE INVERT TO BE EQUAL TO ONE HALF DIAMETER OF THE OUTGOING PIPE OR AS DIRECTED BY THE ENGINEER.
7. CHANNEL TO THE SLOPE 1/4 INCH PER FOOT TOWARDS OUTLET OR AS DIRECTED BY THE ENGINEER.
8. USE NON-SHRINK GROUT JOINT FILLER.
9. USE FLAT SLAB TOP WHEN MANHOLE LENGTH IS NOT SUFFICIENT FOR ECCENTRIC CONE UNIT.
10. VERTICAL MEASUREMENT FOR PAYMENT SHALL BE FROM THE INVERT OF THE OUTGOING PIPE TO THE BOTTOM OF THE MANHOLE FRAME.
11. MATERIAL PROPERTIES: CONCRETE SHALL BE MIX 6, WWF PER ASTM A135, REBAR PER ASTM A615 GRADE 60.
12. FLATTOP REDUCER REINFORCEMENT TO CONSIST OF REBAR SPACING AS SHOWN OR TWO CONTINUOUS CAGES WITH ONE WIRE PER CAGE INSIDE AND OUTSIDE WIRE AREA 0.12 PER ASTM A185.

	APPROVED:  HEAD, BUREAU OF WATER AND WASTEWATER	CITY OF BALTIMORE DEPARTMENT OF PUBLIC WORKS BUREAU OF WATER AND WASTEWATER	ISSUED	REVISED	REVISED
	 DIRECTOR, DEPARTMENT OF PUBLIC WORKS		3 / 2008		
60" DIA PRECAST STORM MANHOLE FOR 27" TO 36" PIPES			STANDARD NO. BC 383.05		
			SCALE: NONE	SHEET 1 OF 1	