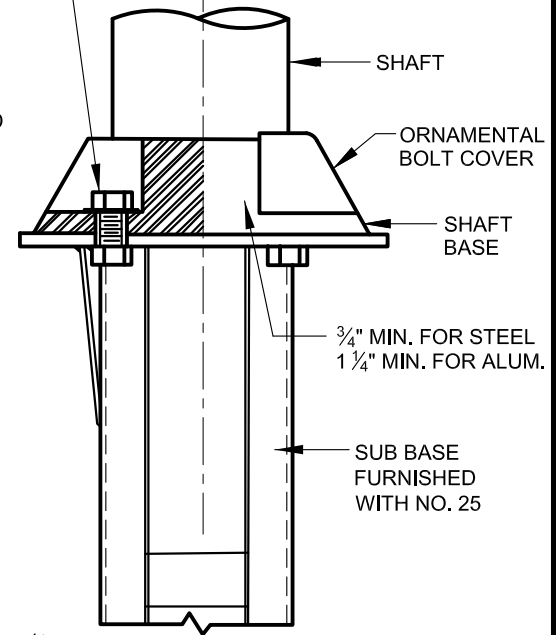
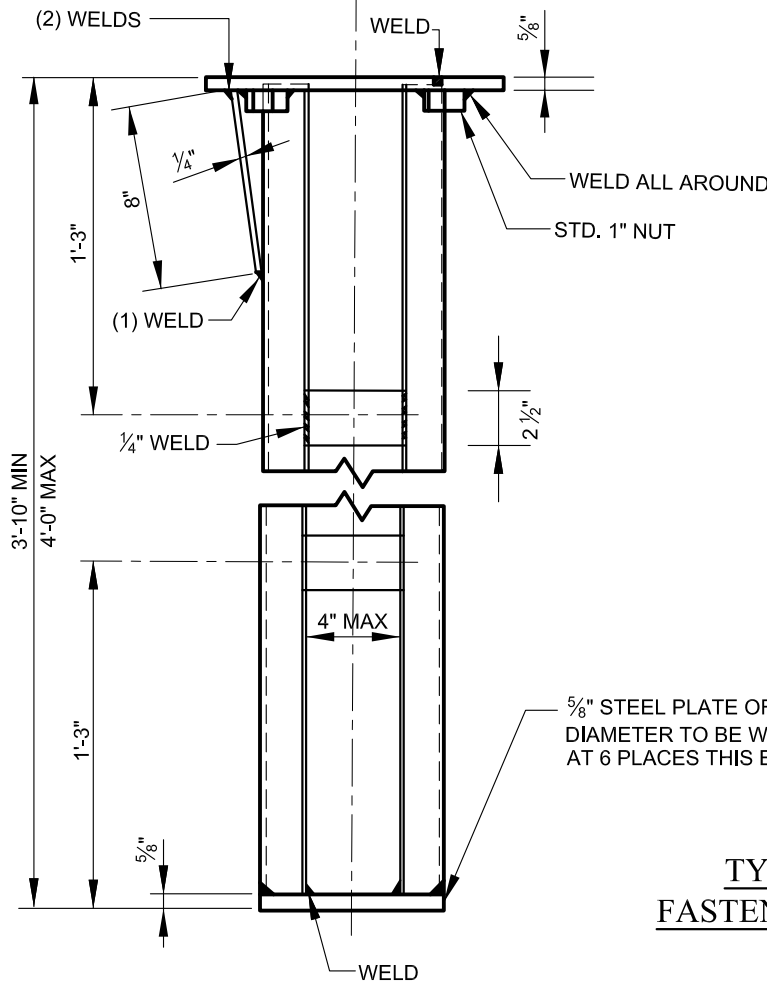


(4) 1"x3" STAINLESS STEEL MACHINE BOLTS & WASHERS A.S.A. REQ. HEX. HEAD, CLASS II FIT. WASHER (0.125" THICKNESS) FURNISHED WITH NO. 25 STEEL AND NO. 30AT ALUMINUM



SECTION 'A-A'

TYPICAL ARRANGEMENT FOR FASTENING SHAFT BASE TO SUB-BASE



APPROVED:
Primal Devita
 DIVISION CHIEF, TRANSPORTATION ENGINEERING AND CONSTRUCTION
Khalil Zae
 DIRECTOR, DEPARTMENT OF TRANSPORTATION

CITY OF BALTIMORE
 DEPARTMENT OF TRANSPORTATION
 TRANSPORTATION ENGINEERING AND CONSTRUCTION

FOUNDATION BASE FOR LIGHT POLES - STEEL SUB-BASE

ISSUED	REVISED	REVISED
8 / 2010		
STANDARD NO. BC 801.03		
SCALE : NONE	SHEET 1 OF 1	