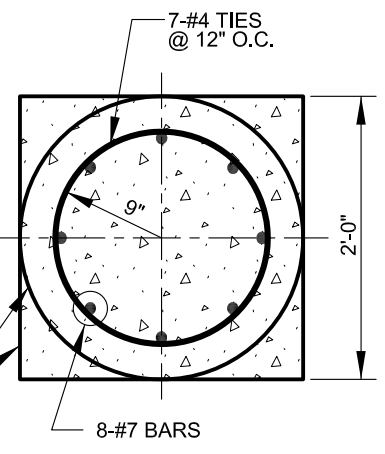
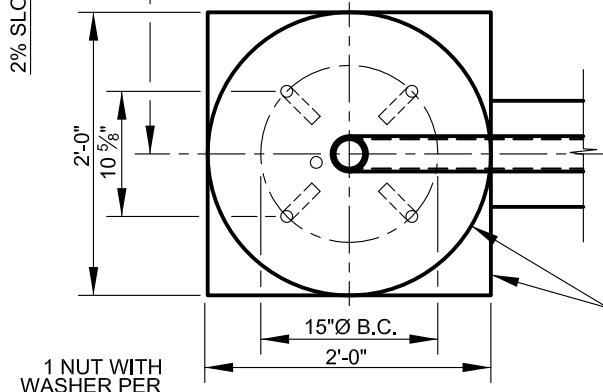
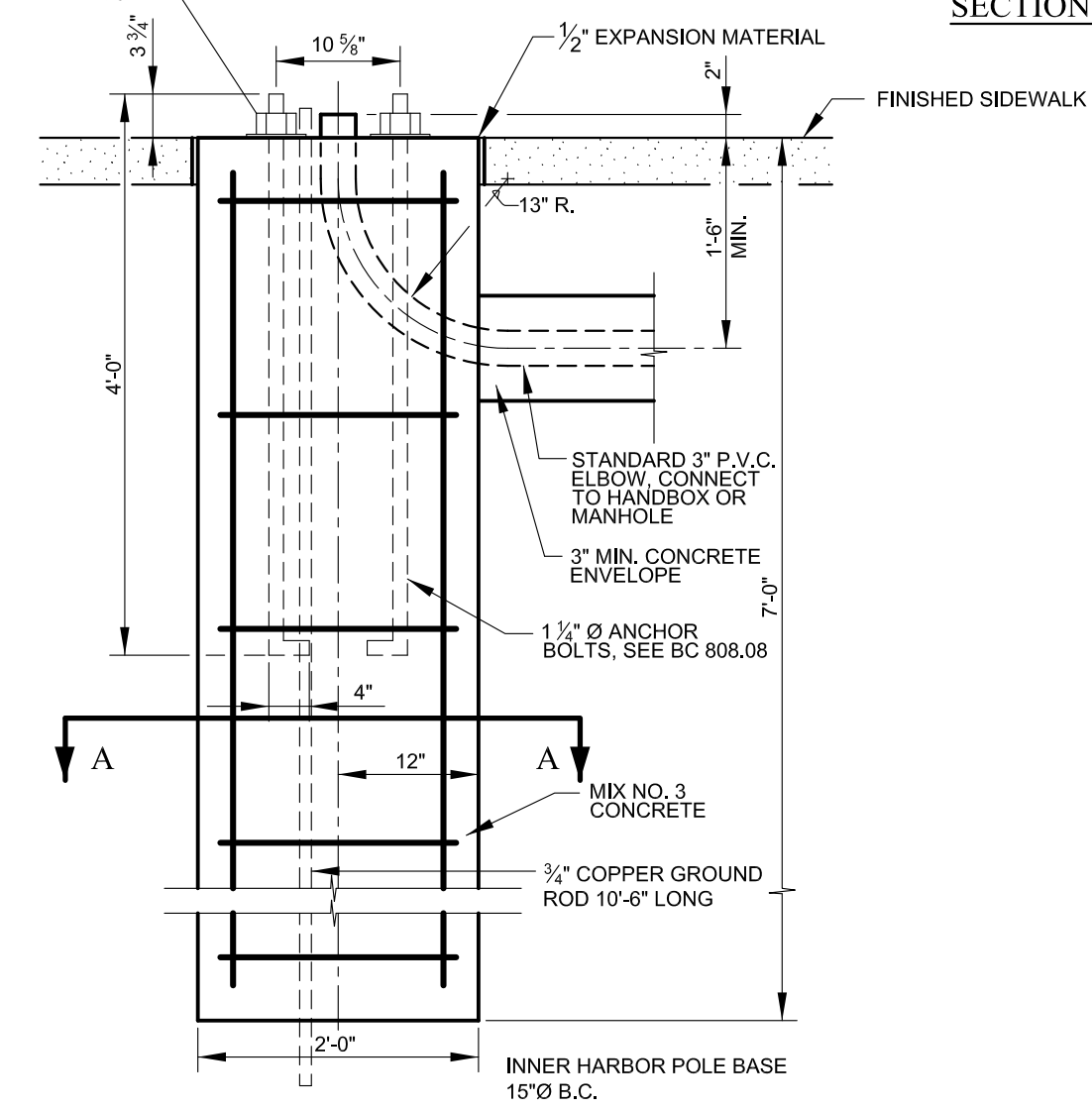


NOTE:
CURB LOCATION TO PEDESTAL BASE
IS SHOWN SCHEMATICALLY ONLY



SECTION 'A-A'



APPROVED:
Primal Dev...
DIVISION CHIEF, TRANSPORTATION ENGINEERING
AND CONSTRUCTION
Khalil Z...
DIRECTOR, DEPARTMENT OF TRANSPORTATION

CITY OF BALTIMORE
DEPARTMENT OF TRANSPORTATION
TRANSPORTATION ENGINEERING AND
CONSTRUCTION
ROADWAY PEDESTAL BASE FOR
INNER HARBOR TYPE
LIGHT POLES

ISSUED	REVISED	REVISED
8 / 2010		
STANDARD NO. BC 801.05		
SCALE : NONE	SHEET 1 OF 1	