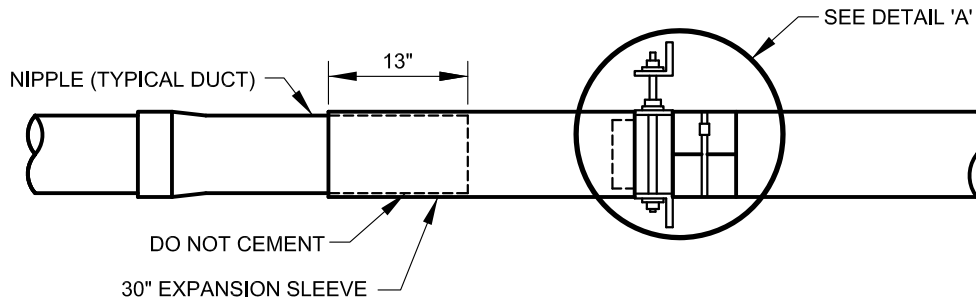


**DETAIL 'A'**



NOTE:  
 BEVEL INSIDE EDGES OF SLEEVES, NIPPLE, AND JOINER.  
 SCORE ENDS OF ALL THREADS AFTER INSTALLATION.



APPROVED:  
*Richard J. Baker*  
 CHIEF, CONDUIT DIVISION  
*Khalil Zane*  
 DIRECTOR, DEPARTMENT OF TRANSPORTATION

CITY OF BALTIMORE  
 DEPARTMENT OF TRANSPORTATION  
 CONDUIT DIVISION

CONDUIT EXPANSION JOINT  
 FOR SUSPENDED ELECTRICAL  
 DUCT

ISSUED	REVISED	REVISED
8 / 2010		

STANDARD NO.  
 BC 802.01-2

SCALE : NONE SHEET 2 OF 2