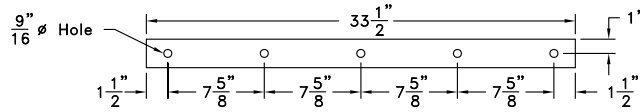
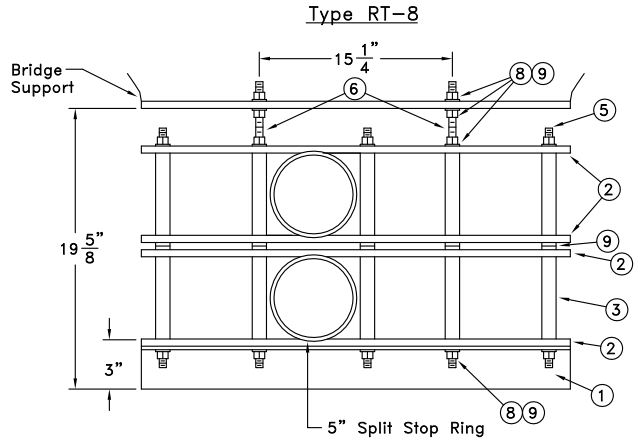
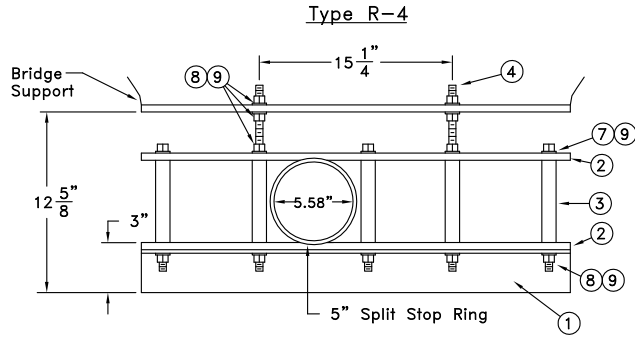


# 5" PVC PLASTIC UTILITY DUCT ON BRIDGE HANGER SUPPORTS



### Bill of Material

Item	Description	Quantity Restraining	
		Type R-4	Type RT-8
1	3" x 2" x 1/4" x 33-1/2" Lg. steel angle	1	1
2	1/2" x 2" x 33-1/2" PVC plate	2	4
3	1/2" x 5-3/4" Schedule 40 PVC pipe	5	10
4	1/2" x 13" Galv. all thread hanger rod	2	
5	1/2" x 17" Galv. all thread hanger rod		3
6	1/2" x 20" Galv. all thread hanger rod		2
7	1/2" x 9" Galv. sq. hd. bolt	3	
8	1/2" Galv. hex. hd. locknut	11	14
9	1/2" Galv. round flat washer	14	24

**Instructions:**

- (A) Score ends of all threads after installation.
- (B) When conduit is not being restrained, bell ends or couplings shall not be located closer than 14" to any hanger.
- (C) Paint all fabricated steel welds with an approved stainless steel paint. Color to be compatible with bridge.



APPROVED:

*Richard J. Baker*  
CHIEF, CONDUIT DIVISION

*Khail Zare*  
DIRECTOR, DEPARTMENT OF TRANSPORTATION

**CITY OF BALTIMORE  
DEPARTMENT OF TRANSPORTATION  
CONDUIT DIVISION**

ISSUED	REVISED	REVISED
8 / 2010		

**5" PVC, PLASTIC UTILITY DUCT  
ON BRIDGE HANGER SUPPORTS**

**STANDARD NO.  
BC 802.04-2**

SCALE: NONE      SHEET 2 OF 6