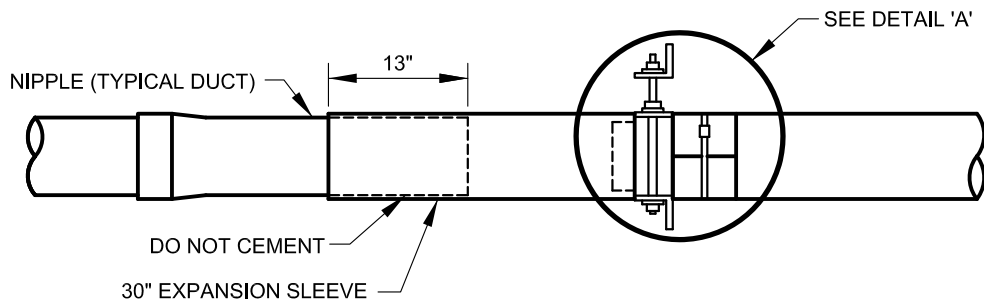


DETAIL 'A'



NOTE:
 BEVEL INSIDE EDGES OF SLEEVES, NIPPLE, AND JOINER.
 SCORE ENDS OF ALL THREADS AFTER INSTALLATION.



APPROVED:

Richard J. Baker
 CHIEF, CONDUIT DIVISION
Khalil Zane
 DIRECTOR, DEPARTMENT OF TRANSPORTATION

CITY OF BALTIMORE
 DEPARTMENT OF TRANSPORTATION
 CONDUIT DIVISION

5" PVC DUCT ON BRIDGES
 BACK TO BACK EXPANSION JOINT
 INSTALLATION

ISSUED	REVISED	REVISED
8 / 2010		
STANDARD NO. BC 802.04-4		
SCALE : NONE	SHEET 4 OF 6	