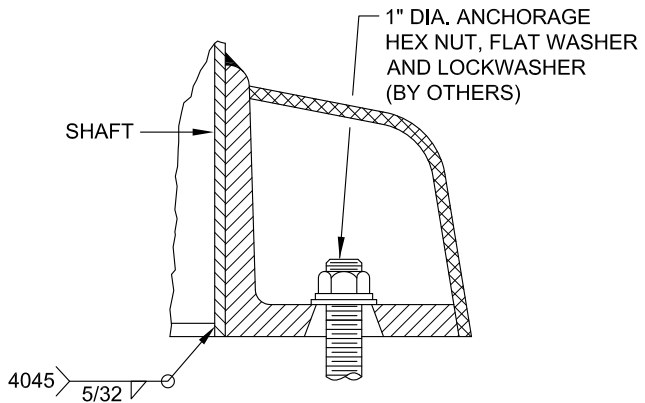
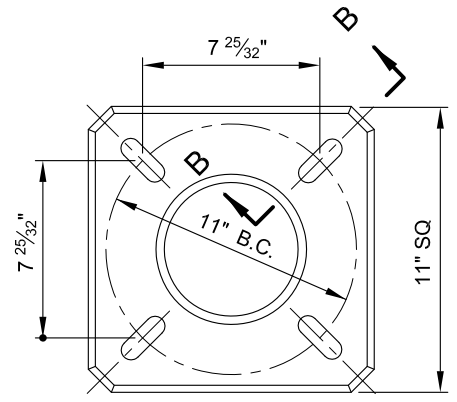


DETAIL 'A'



SECTION B-B



SECTION A-A



APPROVED:

Primal Dev...

DIVISION CHIEF, TRANSPORTATION ENGINEERING AND CONSTRUCTION

Khalil Z...

DIRECTOR, DEPARTMENT OF TRANSPORTATION

CITY OF BALTIMORE
DEPARTMENT OF TRANSPORTATION
TRANSPORTATION ENGINEERING AND CONSTRUCTION

11'-6" LIGHTING
STANDARD FOR
RESIDENTIAL STREETS

ISSUED	REVISED	REVISED
8 / 2010		
STANDARD NO. BC 808.06		
SCALE : NONE	SHEET 1 OF 1	