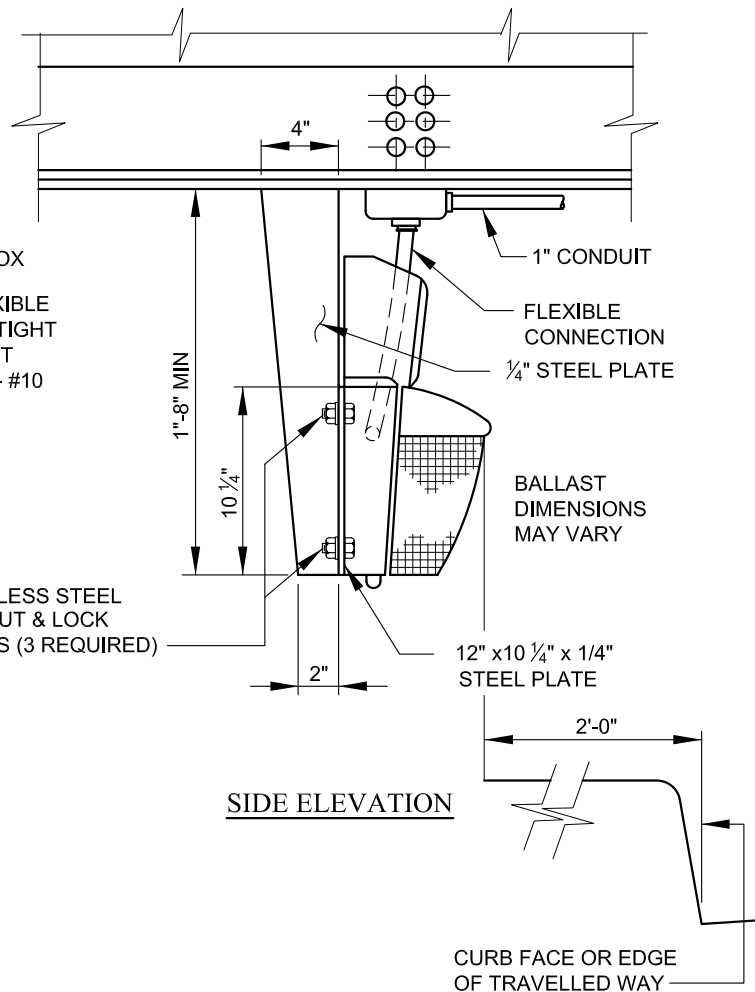
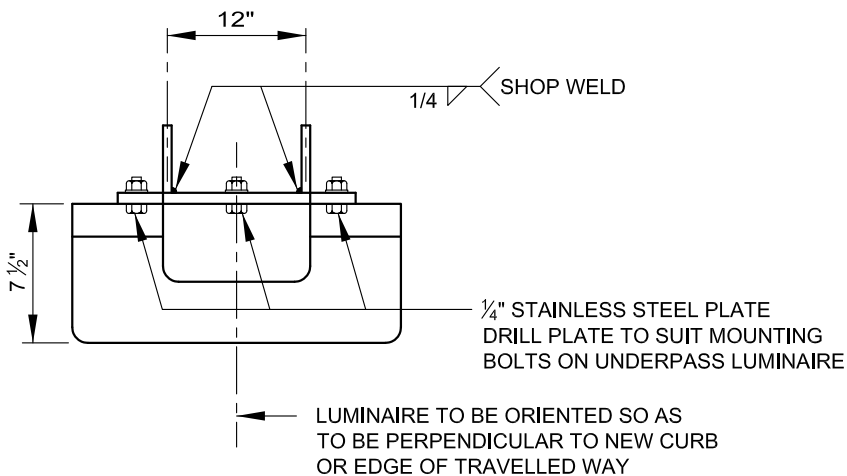


FRONT ELEVATION



SIDE ELEVATION



PLAN

MATERIAL: MOUNTING BRACKET TO BE OF SAME TYPE STEEL AS THE STRUCTURE FLOOR BEAM



APPROVED:

*Primal Dev...*

DIVISION CHIEF, TRANSPORTATION ENGINEERING AND CONSTRUCTION

*Khalil Z...*

DIRECTOR, DEPARTMENT OF TRANSPORTATION

CITY OF BALTIMORE  
DEPARTMENT OF TRANSPORTATION  
TRANSPORTATION ENGINEERING AND  
CONSTRUCTION

**UNDERPASS LUMINAIRE  
TYPE II LUMINAIRE MOUNTING  
STEEL STRUCTURE**

ISSUED	REVISED	REVISED
8 / 2010		
STANDARD NO. BC 823.02		
SCALE : NONE	SHEET 1 OF 1	