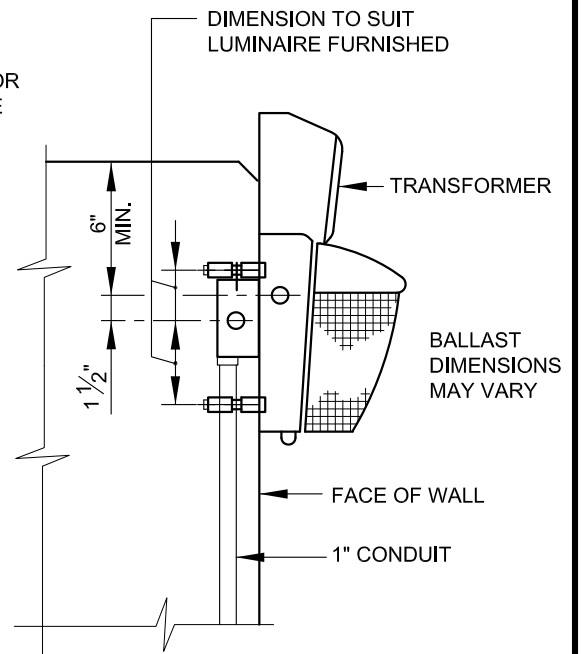
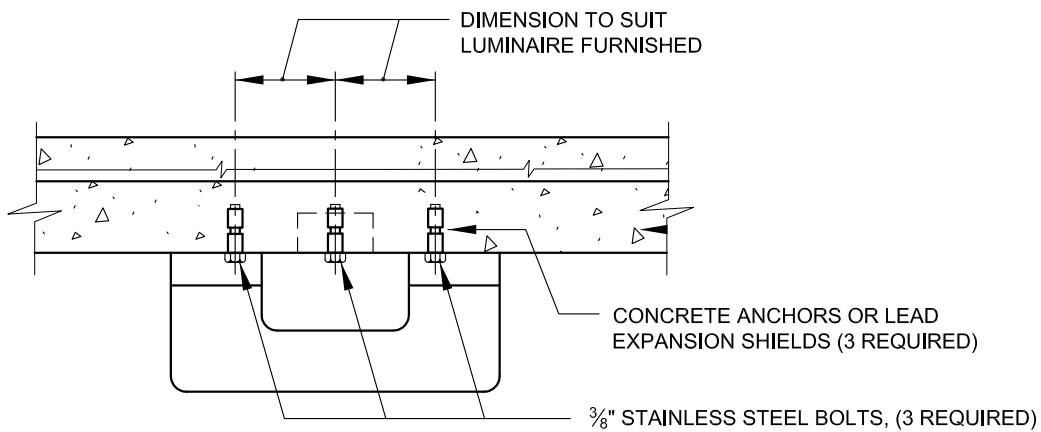


FRONT ELEVATION



SIDE ELEVATION



PLAN



APPROVED:
Primal Devita
 DIVISION CHIEF, TRANSPORTATION ENGINEERING
 AND CONSTRUCTION
Khalil Zare
 DIRECTOR, DEPARTMENT OF TRANSPORTATION

CITY OF BALTIMORE
 DEPARTMENT OF TRANSPORTATION
 TRANSPORTATION ENGINEERING AND
 CONSTRUCTION

**UNDERPASS LUMINAIRE
 TYPE III LUMINAIRE MOUNTING
 WALL, PIER OR ABUTMENT**

ISSUED	REVISED	REVISED
8 / 2010		
STANDARD NO. BC 823.03		
SCALE : NONE	SHEET 1 OF 1	