

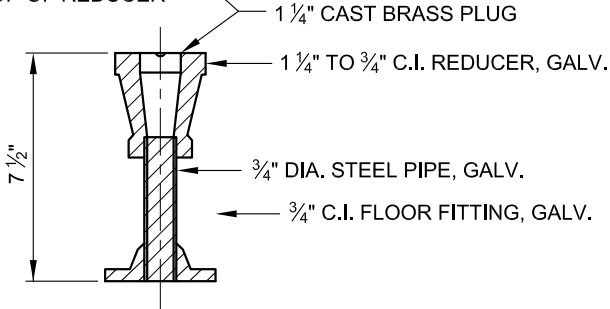
STEEL SCHEDULE

MARK	SIZE	LENGTH	QUANTITY
A	8	7'-0"	12
B	7	4'-1 1/4"	16
C	8	5'-8"	14
D	7	2'-0"	22

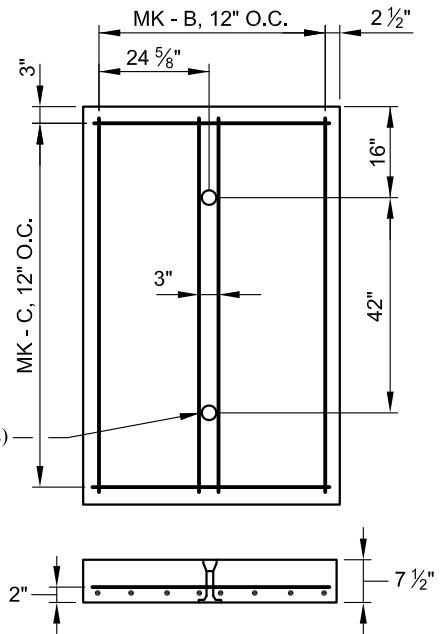
NOTE:

- (1) 12" LONG DOWELS SPACED 12" ON CENTER EXTENDING 6" ABOVE TOP OF WALL.
- (2) POUR REMOVABLE SECTION WITH REMOVABLE FRAMES INSTALLED IN STATIONARY FRAME.
- (3) DO NOT SCORE ROOF, REMOVABLE SECTION OR AROUND FRAMES.

PLUG TO FIT FLUSH W/ TOP OF REDUCER



LIFTING INSERT ASSEMBLY FOR REMOVABLE SECTIONS



REINFORCED CONCRETE PORTION OF REMOVABLE SECTIONS 3000 LBS

	APPROVED: CHIEF, CONDUIT DIVISION DIRECTOR, DEPARTMENT OF TRANSPORTATION	CITY OF BALTIMORE DEPARTMENT OF TRANSPORTATION CONDUIT DIVISION	ISSUED 8 / 2010	REVISED 	REVISED
	6' x 17' - 6" x 9' PRECAST NETWORK TRANSFORMER MANHOLE - DETAILS		STANDARD NO. BC 825.15-2		
			SCALE : NONE	SHEET 2 OF 5	