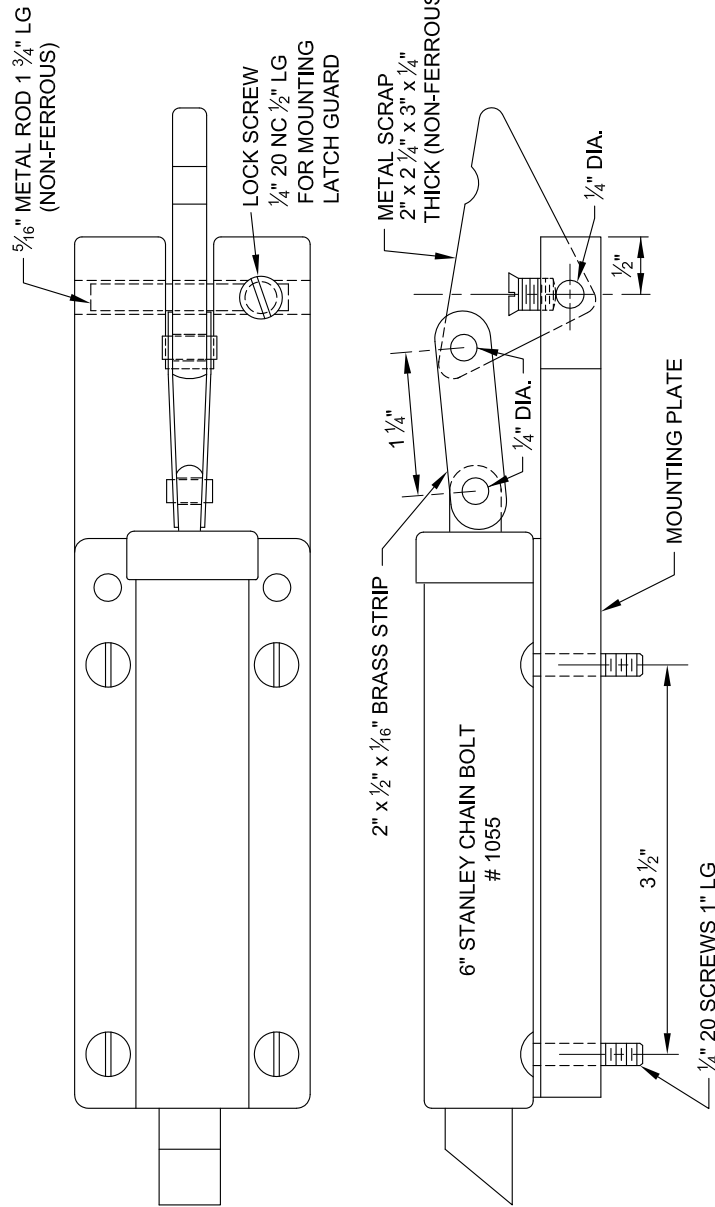



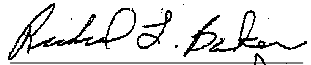

**GRATING ENTRANCE SUPPORT ROD**

- NOTES:
1. MATERIAL TO BE HOT DIP GALVANIZED AFTER FABRICATION AS PER ASTM SPEC. A 123.
  2. LATCH SUPPLIED AND INSTALLED BY OTHERS.



DETAIL OF LATCH GUARD  
#6 GA. GALV. SHEET METAL

**DETAILS OF GRATING ENTRANCE LATCH**

	APPROVED:  CHIEF, CONDUIT DIVISION  DIRECTOR, DEPARTMENT OF TRANSPORTATION	CITY OF BALTIMORE DEPARTMENT OF TRANSPORTATION CONDUIT DIVISION	ISSUED 8 / 2010	REVISED	REVISED
	6" x 17'- 6" x 9' PRECAST NETWORK TRANSFORMER MANHOLE - DETAILS	STANDARD NO. BC 825.15-5		SCALE : NONE	SHEET 5 OF 5