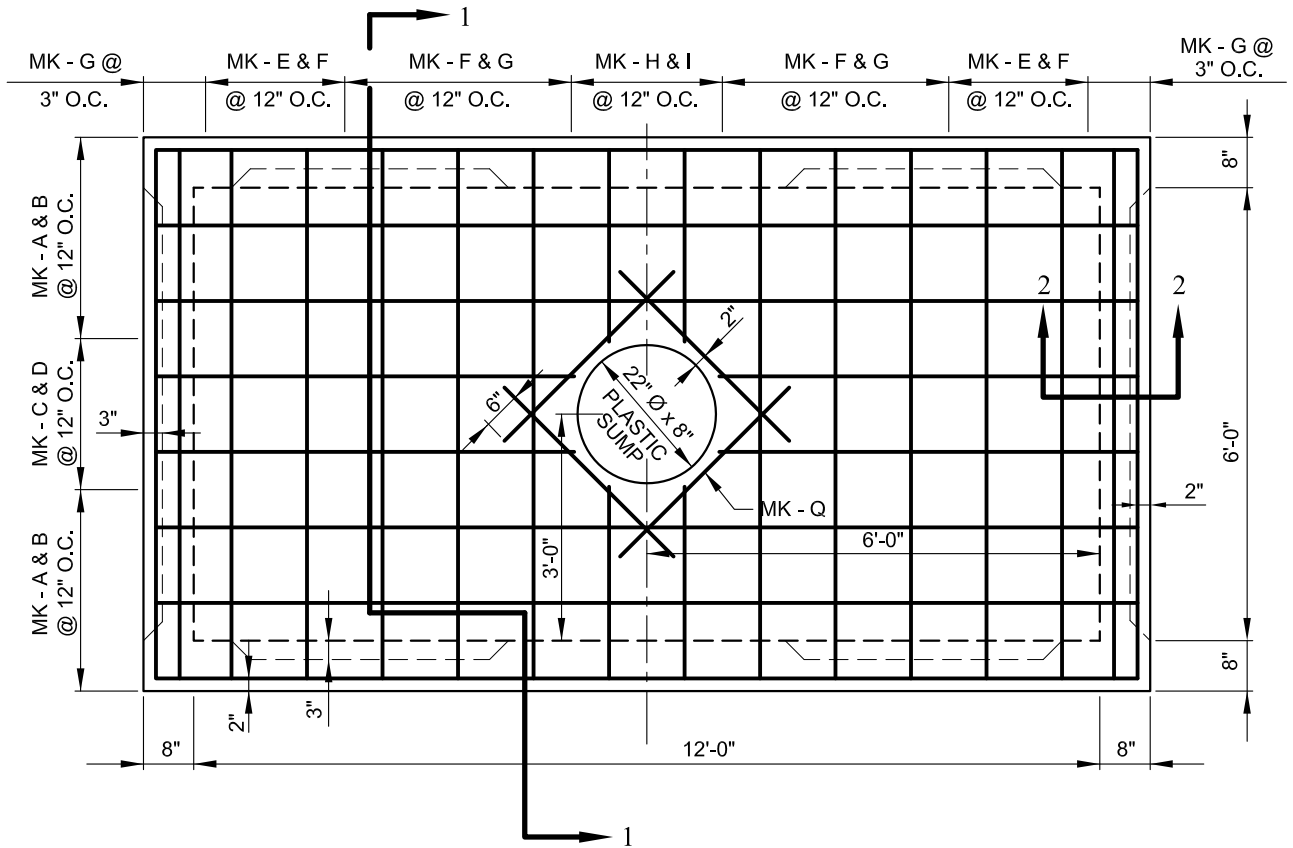
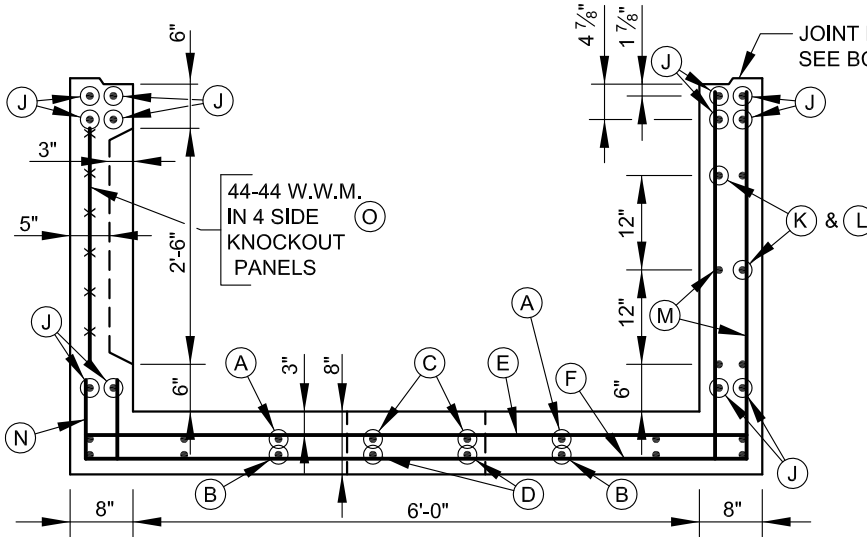


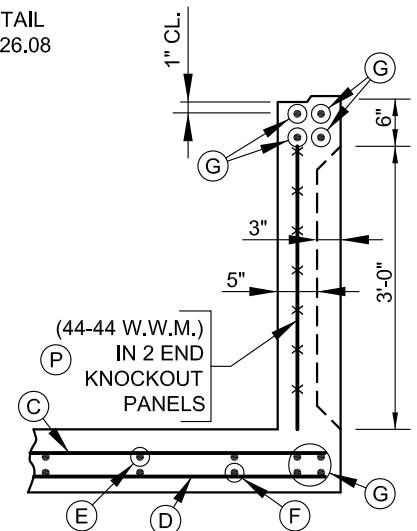
NOTE: ALTERNATE DESIGNS ON HS-20-44 LOADING WITH 1' TO 3' COVER WILL BE ACCEPTABLE



PLAN - BOTTOM HALF



SECTION 1-1



SECTION 2-2

TOP HALF (6' x 12' x 7' MANHOLE) SEE BC 826.01-1
 BAR SCHEDULE (6' x 12' x 7' MANHOLE) SEE BC 826.04
 KNOCKOUT DETAILS SEE BC 826.05
 INSERTS FOR RECESSED EXTENSION SEE BC 826.06
 ACCESSORIES FOR PRECAST MANHOLES SEE BC 826.08
 STANDARD ACCESS STACK SEE BC 825.11
 PRECAST RECESSED EXTENSION SEE BC 826.07-7

GENERAL NOTES

SPECIFICATIONS ----- LATEST DEPARTMENT OF GENERAL SERVICES
 CONCRETE ----- $f'_c = 5,000$ PSI - MIX AS APPROVED BY ENGR.
 REINFORCING ----- ASTM A615, GRADE 60
 WELDED WIRE MESH --- ASTM A185
 LOADING ----- HS 25 TRUCK LOADING



APPROVED:
Ronald J. Baker
 CHIEF, CONDUIT DIVISION
Khalil Zane
 DIRECTOR, DEPARTMENT OF TRANSPORTATION

CITY OF BALTIMORE
 DEPARTMENT OF TRANSPORTATION
 CONDUIT DIVISION

PRECAST LINE MANHOLE
 6' x 12' x 7' HEADROOM
 BOTTOM HALF

ISSUED	REVISED	REVISED
8 / 2010		
SCALE: NONE		SHEET 2 OF 2

STANDARD NO.
 BC 826.01-2