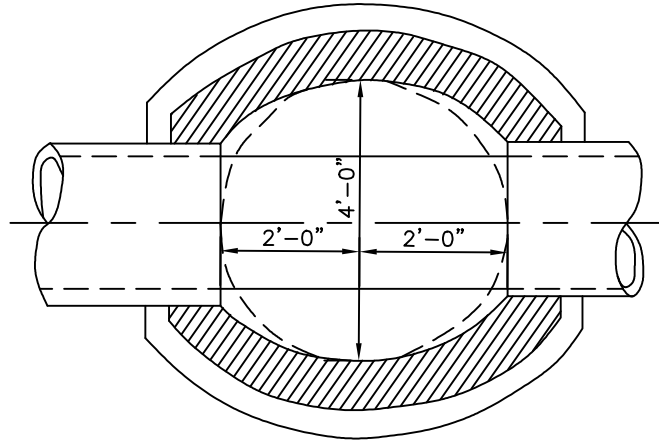
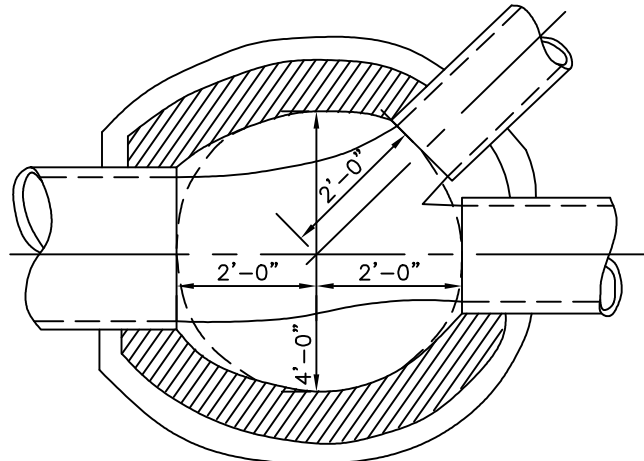


BENCH HEIGHT ABOVE OUTGOING PIPE
 INVERT TO BE EQUAL TO DIAMETER OF
 OUTGOING PIPE



STANDARD CHANNEL NO. 11



STANDARD CHANNEL NO. 12



APPROVED :
[Signature]
 HEAD, BUREAU OF WATER AND WASTEWATER
[Signature]
 DIRECTOR, DEPARTMENT OF PUBLIC WORKS

CITY OF BALTIMORE
 DEPARTMENT OF PUBLIC WORKS
 BUREAU OF WATER AND WASTEWATER

TYPICAL MANHOLE CHANNELS

STANDARD CHANNEL NO. 11
 STANDARD CHANNEL NO. 12

ISSUED	REVISED	REVISED
3 / 2008		
STANDARD NO. BC 831.39		
SCALE : NONE		SHEET 1 OF 1