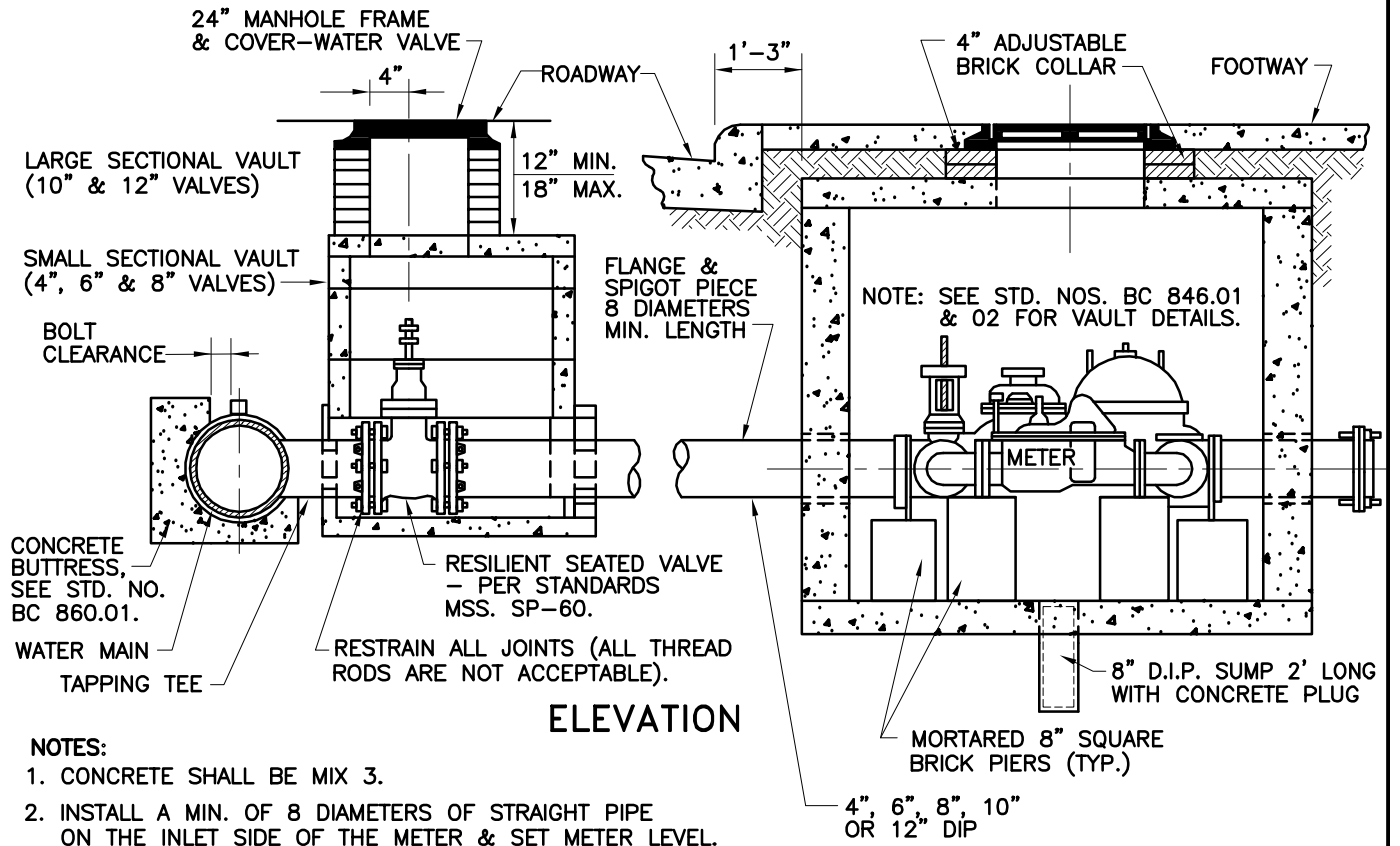

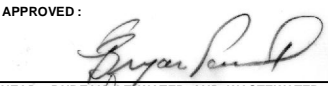
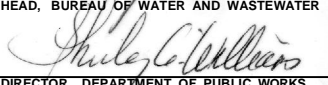


PLAN (METER VAULT ONLY)



ELEVATION

- NOTES:**
1. CONCRETE SHALL BE MIX 3.
 2. INSTALL A MIN. OF 8 DIAMETERS OF STRAIGHT PIPE ON THE INLET SIDE OF THE METER & SET METER LEVEL.

	APPROVED: 	CITY OF BALTIMORE DEPARTMENT OF PUBLIC WORKS BUREAU OF WATER AND WASTEWATER	ISSUED	REVISED	REVISED
	HEAD, BUREAU OF WATER AND WASTEWATER 		3 / 2008		
STANDARD INSTALLATION OF 4", 6", 8", 10", & 12" FIRE SUPPLY SERVICES WITH WATER SUPPLY SERVICE (OUTSIDE FIRE HYDRANTS) WITH TAPPING SLEEVE AND VALVE (SECTIONAL VAULT)			STANDARD NO. BC 850.02		
			SCALE: NONE	SHEET 1 OF 1	