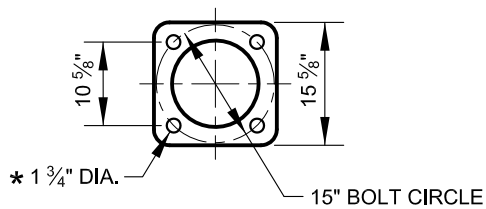


HANDHOLE COVER

SCALE: 1 1/2" = 1'-0"



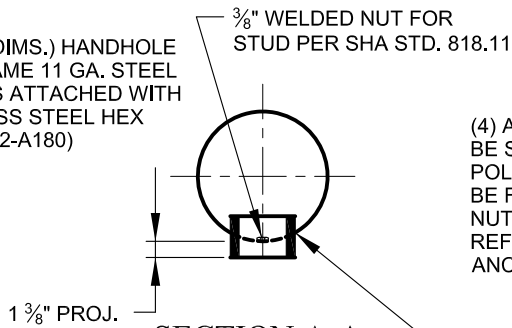
POLE BASE

SCALE: 1/2" = 1'-0"

* 2" DIA. HOLES ARE REQUIRED FOR 32' STRAIN POLE

A POLE GROUNDING LUG SHALL BE PROVIDED AT THE HANDHOLE

5" x 9" (OUTSIDE DIMS.) HANDHOLE REINFORCED FRAME 11 GA. STEEL HINGED COVER IS ATTACHED WITH (1) 1/4"-20 STAINLESS STEEL HEX HEAD SCREW (P02-A180)



**SECTION A-A
HANDHOLE DETAIL**

SCALE: 3/4" = 1'-0"

(4) ANCHOR BOLTS SHALL BE SUPPLIED WITH EACH POLE. EACH BOLT SHALL BE FURNISHED WITH 2-HEX NUTS, AND 2- FLAT WASHERS REFER TO STANDARD ANCHOR BOLTS DETAIL

5/16" FOR 3 GA.
3/8" FOR #1/0 GA.

POLE SHAFT DIMENSION SCHEDULE		
HEIGHT	BASE O.D.	TOP O.D.
24 FEET	10.00"	6.64"
28 FEET	11.00"	7.08"
32 FEET	11.00"	6.52"



APPROVED:
Primal Devita
 DIVISION CHIEF, TRANSPORTATION ENGINEERING AND CONSTRUCTION
Khalil Zare
 DIRECTOR, DEPARTMENT OF TRANSPORTATION

CITY OF BALTIMORE
 DEPARTMENT OF TRANSPORTATION
 TRANSPORTATION ENGINEERING AND CONSTRUCTION

STEEL STRAIN POLE

ISSUED	REVISED	REVISED
8 / 2010		
STANDARD NO. BC 880.01		
SCALE : NONE	SHEET 1 OF 1	