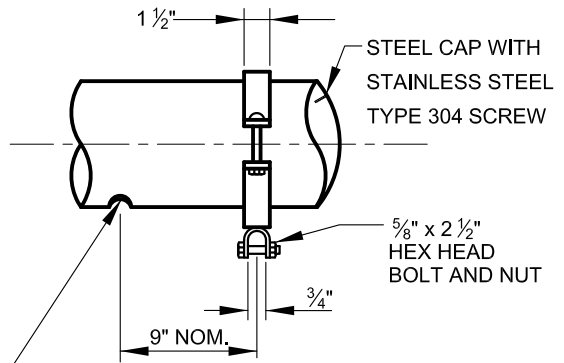
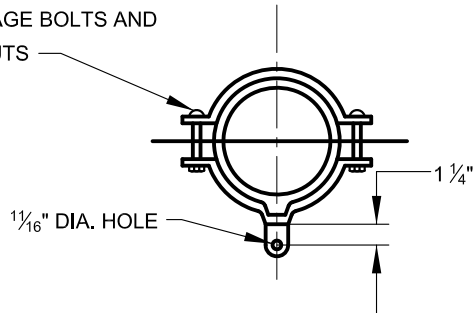


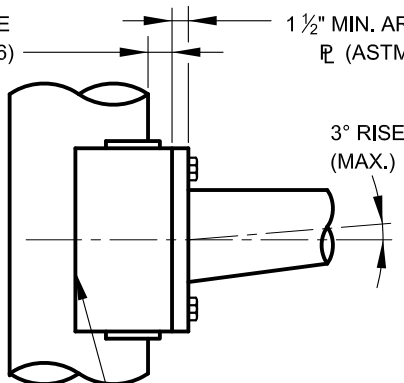
1/4" THICK GALVANIZED CLAMP  
AND CLEVIS W/ 2 - 5/8" DIA.  
CARRIAGE BOLTS AND  
HEX NUTS



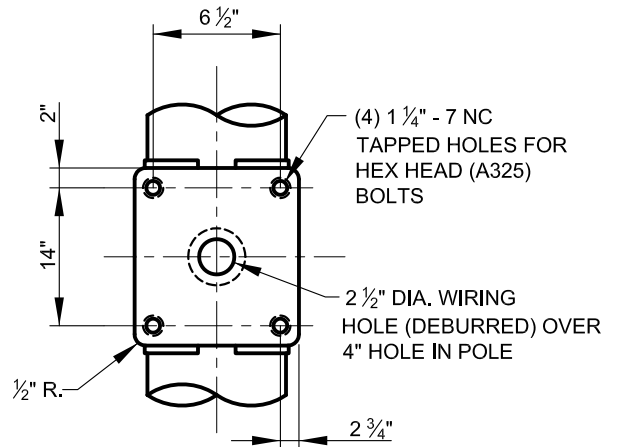
1 3/8" DIA. HOLE  
WITH 1" I.D. GROMMET

SIGNAL HANGER DETAIL "B"  
TYP. @ EACH SIGNAL LOCATION

1 1/2" MIN. POLE  
R (ASTM-A36)      1 1/2" MIN. ARM  
R (ASTM-A36)



1/4" THICK TOP,  
BOTTOM, AND SIDE  
GUSSETS (ASTM-A36)



SIGNAL ARM ATTACHMENT DETAIL



APPROVED:  
*Bimal DeLuca*  
DIVISION CHIEF, TRANSPORTATION ENGINEERING  
AND CONSTRUCTION  
*Khalil Zare*  
DIRECTOR, DEPARTMENT OF TRANSPORTATION

CITY OF BALTIMORE  
DEPARTMENT OF TRANSPORTATION  
TRANSPORTATION ENGINEERING AND  
CONSTRUCTION

**GALVANIZED STEEL  
MAST ARM POLE**

ISSUED	REVISED	REVISED
8 / 2010		
<b>STANDARD NO. BC 880.06-2</b>		
SCALE : NONE	SHEET 2 OF 3	