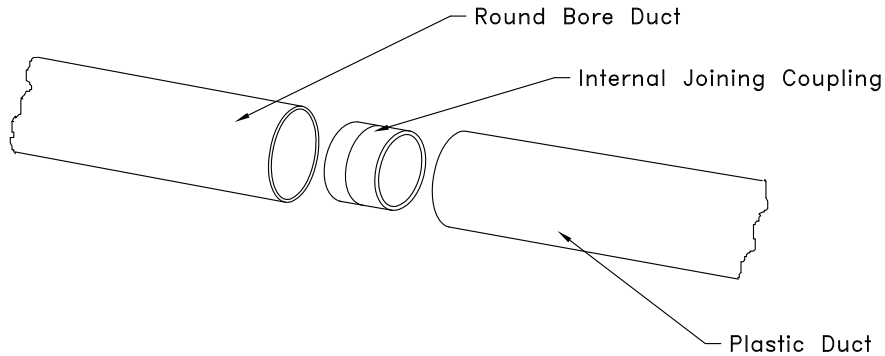


ADAPTING PLASTIC DUCT TO OTHER DUCT MATERIALS


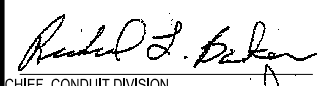

2. When joining 4" plastic duct to 4" round bore concrete, asbestos cement or fiber duct (See Figure 15), proceed as follows:
 - a. Use a 4" internal joining coupling.
 - b. Apply a thin coating of sealing material to one end of the coupling and insert snugly into the round bore duct.
 - c. Cement the other end of the internal joining coupling to a length of 4" plastic duct.
 - d. Continue cementing lengths of plastic duct to the other end of the run.

Figure 15



3. When joining 5" plastic duct to 4" round bore concrete, asbestos cement or fiber duct (See Figure 16), proceed as follows:
 - a. Use a 4" internal joining coupling.
 - b. Apply a thin coating of sealing material to one end of the coupling and insert snugly into the round bore duct.
 - c. Cement the other end of the internal joining coupling to a short 4" nipple (See Note).
 - d. Cement a 4" X 5" enlarging coupling to the 4" nipple.

Note: If staggering of couplings is desired, vary 4" nipple length.

	APPROVED:  CHIEF, CONDUIT DIVISION	CITY OF BALTIMORE DEPARTMENT OF TRANSPORTATION CONDUIT DIVISION	ISSUED 8 / 2010	REVISED	REVISED
	 DIRECTOR, DEPARTMENT OF TRANSPORTATION	ADAPTING PLASTIC DUCT TO OTHER DUCT MATERIALS	STANDARD NO. BC 892.01-8		
			SCALE : NONE	SHEET 8 OF 10	