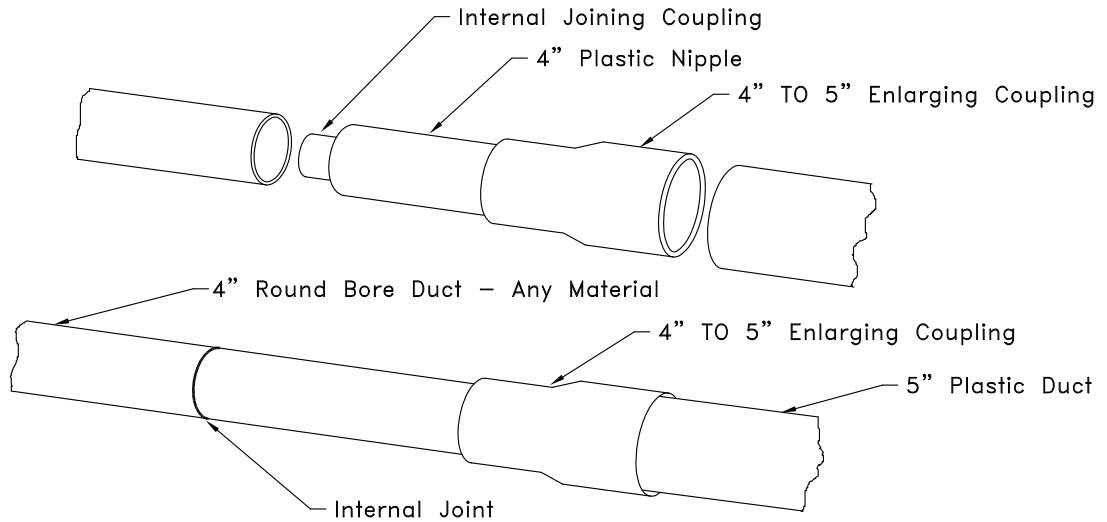


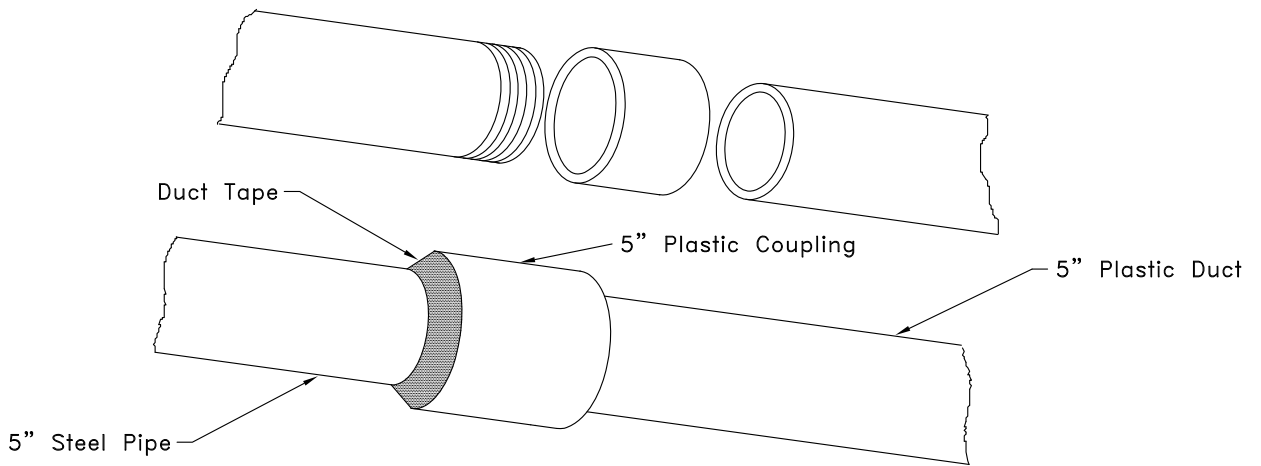
ADAPTING PLASTIC DUCT TO OTHER DUCT MATERIALS


Figure 16



4. When joining 5" plastic duct to 5" threaded or non-threaded steel pipe (See Figure 17), proceed as follows:
 - a. Use a standard 5" plastic coupling.
 - b. Apply a thin coating of sealing material to the male end of the steel pipe.
 - c. Slide on plastic coupling and apply duct tape over the joint.
 - d. Cement a length of 5" plastic duct into the exposed end of the coupling.
 - e. Continue cementing the 5" plastic duct to the other end of the run.

Figure 17



	APPROVED:	CITY OF BALTIMORE DEPARTMENT OF TRANSPORTATION CONDUIT DIVISION	ISSUED	REVISED	REVISED
	CHIEF, CONDUIT DIVISION DIRECTOR, DEPARTMENT OF TRANSPORTATION		8 / 2010		
ADAPTING PLASTIC DUCT TO OTHER DUCT MATERIALS			STANDARD NO. BC 892.01-9		
			SCALE: NONE	SHEET 9 OF 10	